

# Single Arm Flat Screen Wall Mount with Tilt and Swivel

For more information please visit [www.btechavmounts.com/BT7512](http://www.btechavmounts.com/BT7512)

**BT7512**

Registered Design Number: 001713280-0005



## BT7512

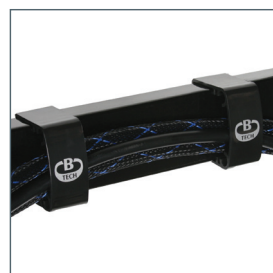
### Single Arm Flat Screen Wall Mount with Tilt and Swivel

Designed for small flat screens  
up to 23" (58cm) / 15kg (33lbs)

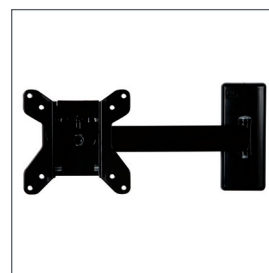
- Fits screens with VESA mounting patterns: 75 x 75mm and 100 x 100mm
- Easy tilt adjustment +17°/-10°
- Features two swivel points: 180° at wall and 240° at interface
- **CLIPLOGIC™** cable management included
- 360° rotation for easy screen levelling and to allow screen to be mounted in landscape or portrait style
- Security locking screws and Allen key provided for secure installation
- Simple 'hook-on' installation with all mounting hardware included
- Available in Piano Black and Silver



Easy adjustment of tilt



CLIPLOGIC™ cable management



Space saving design - folds flat to the wall



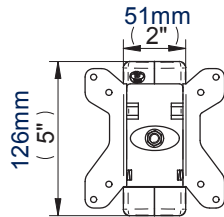
Security locking screws provided

### Single Arm Flat Screen Wall Mount with Tilt and Swivel

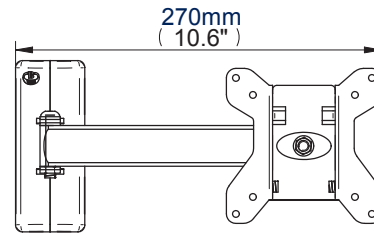
For more information please visit [www.btechavmounts.com/BT7512](http://www.btechavmounts.com/BT7512)

**BT7512**

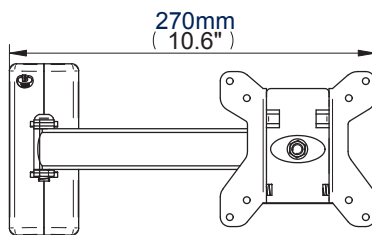
Registered Design Number: 001713280-0005



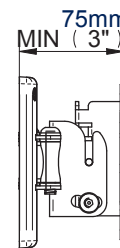
Front View - Maximum Extension



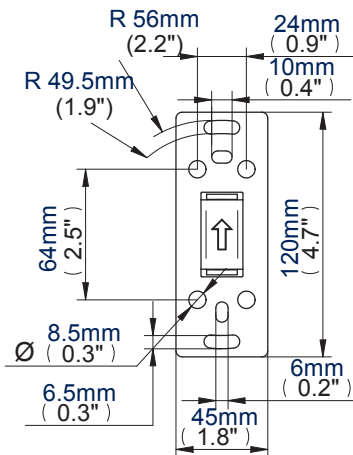
Front View - Folded to Wall



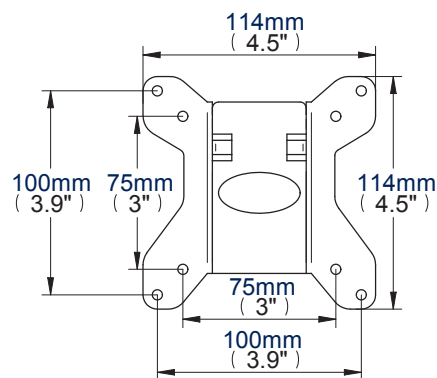
Side View - Maximum Extension



Side View - Folded to Wall



Wall Plate



Interface Plate

Colour:	Order Ref:	EAN Code:	Master Carton Qty:	Inner Carton Qty:	Master Carton Weight:	Master Carton Cube:
Piano Black	BT7512/PB	5019318751226	8	2	11.46kg (25.24lbs)	0.036cbm (1.3cuft)
Silver	BT7512/S	5019318751202	8	2	11.46kg (25.24lbs)	0.036cbm (1.3cuft)

**This information is intended as a guide only and reflects the current specification at the time of print. B-Tech accepts no liability for the accuracy of the information contained in this document.**