



B-TECH AV MOUNTS™

**EASY  
TORSION-TILT  
SYSTEM**

# BT8431

## UNIVERSAL FLAT SCREEN WALL MOUNT WITH TILT

Designed to mount medium to large sized screens, the BT8431 is a flat screen wall mount that features a unique 'Torsion-Tilt' mechanism which allows easy tilt adjustment of the screen up to +/-15°. Also suitable for pole mounting using B-Tech's Accessory Collars, the BT8431 features levelling screws to adjust the screen level post installation as well as locking screws which help prevent unauthorised removal of the screen.

### SPECIFICATION

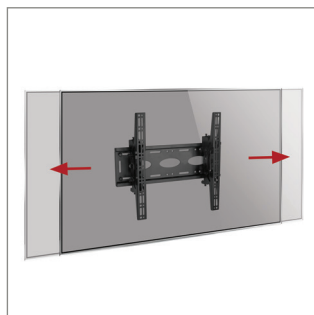
Recommended screen size	39" - 55"
Max load	50kg
VESA® compatibility	up to 400 x 400
Universal fixings	up to 468mm x 400mm
Tilt adjustment	+/-15°
Distance from wall (flat)	81mm
Distance from wall (full tilt)	148mm
Colour	Black

### FEATURES

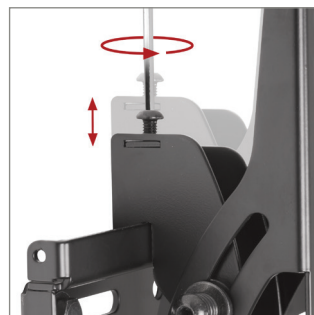
- Unique 'Torsion-Tilt' mechanism for easy tilt adjustment
- Post installation screen alignment for perfect screen positioning
- Compatible with B-Tech's collar and pole system for pole mounting screens
- Arms feature levelling screws to adjust the screen height
- Safety screws help prevent unauthorised removal of screens
- Simple 'hook-on' installation
- All mounting hardware included



Unique 'Torsion-Tilt' mechanism allows for easy tilt adjustment up to +/-15°



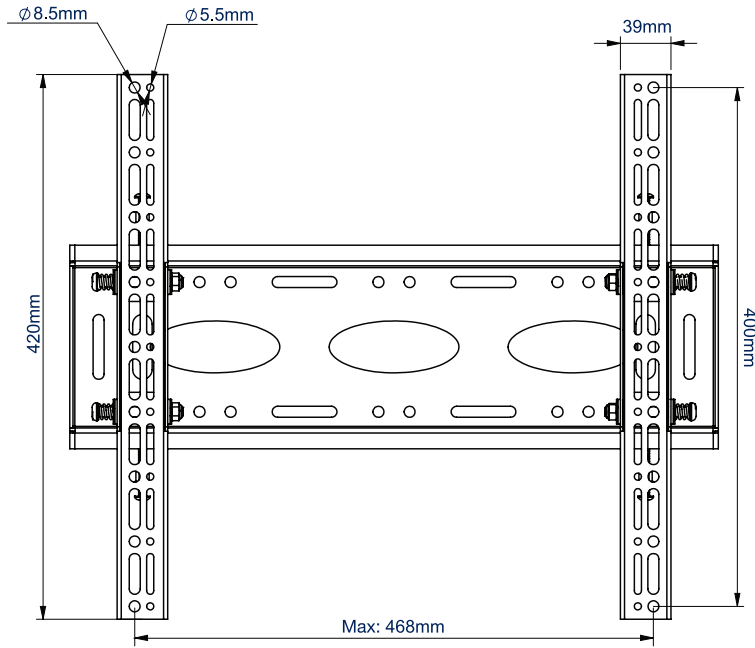
Post installation lateral screen alignment for perfect screen positioning



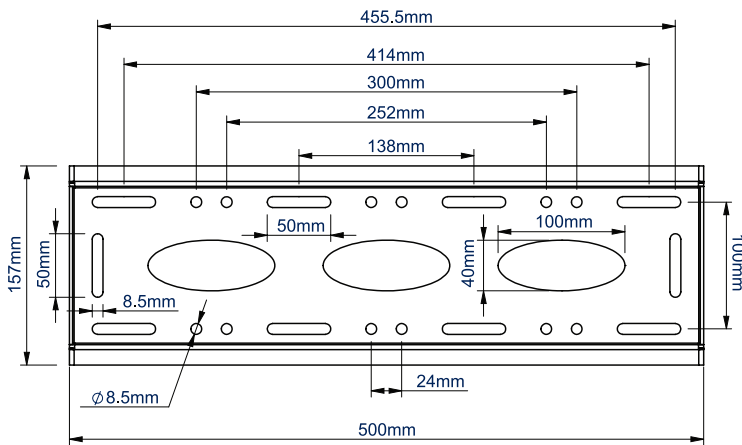
Arms feature levelling screws to adjust the screen height once mounted



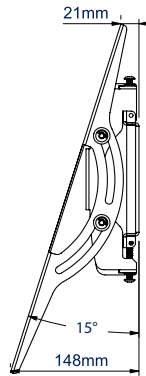
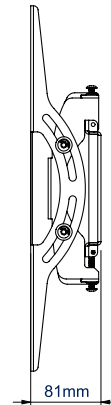
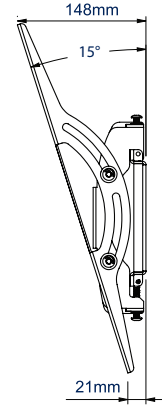
Security locking screws and Allen key provided for a secure installation



FRONT VIEW



WALL PLATE - FRONT VIEW



SIDE VIEWS

PACKING INFORMATION

COLOUR:	ORDER REF:	EAN CODE:	MASTER CARTON QTY:	INNER CARTON QTY:	MASTER CARTON WEIGHT:	MASTER CARTON CUBE:
Black	BT8431/B	5019318084270	2	0	8.9kg	0.028cbm

ACCESSORIES AND RELATED PRODUCTS



**BT8210**  
Ultra-Slim Universal Flat Screen Wall Mount for screens up to 55"



**BT7822**  
Heavy Duty Floor / Ceiling Mount  
Can be used in conjunction with B-Tech poles and collars to create pole mounted solutions



**BT7850**  
50mm Diameter Poles are available in a choice of 6 lengths and can be used to create multiple pole mounted solutions



**BT7841**  
50mm Accessory Collars can be fixed to the BT8431 to allow the mount to be attached to a pole

© 2016 B-Tech International Design & Manufacturing Ltd. All rights reserved. This information is provided for informational purposes only. B-Tech International Design & Manufacturing Ltd. is not responsible for any damage or loss of data caused by the use of this information. B-Tech International Design & Manufacturing Ltd. is not responsible for any damage or loss of data caused by the use of this information. B-Tech International Design & Manufacturing Ltd. is not responsible for any damage or loss of data caused by the use of this information.