

www.btechavmounts.com



Desk mounting solutions by B-Tech™

B - T E C H A U D I O V I D E O M O U N T S

Desk Mounts by B-Tech

Established in 1972, B-Tech is one of the leading manufacturers of audio video mounts and supports in the World today. With mounting solutions for virtually any application, B-Tech is a one stop source for audio video mounts, supports and accessories.

Desk mounting solutions are a key part of the mounting range from B-Tech, with over 20 products in the series. Our prestigious "Full Motion" mounts offer full adjustability and are ideal for applications with high display screen usage where frequent adjustments of the screen need to be made.

Full Motion Range

We offer 3 Full Motion desk mounts; single arm, double arm and twin screen with dual articulated arms.

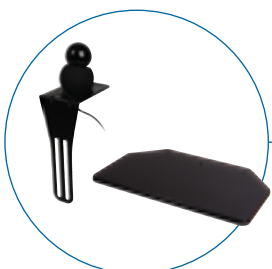


Premium Range

We also offer 3 Premium desk mounts; single arm, double arm and twin screen with dual articulated arms.

Glass Base & Single Pole Range

Alternatively, our desk mounting range includes solutions utilising stylish glass bases and mounting poles.



Component Range

Our 'System 2™' modular component system gives you multiple options for creating custom desk mounting solutions.



fullmotionmounts



Contents



Introduction	2
<i>Are you sitting comfortably?</i>	4
Premium Desk Mount Range	6
Full Motion Desk Mount Range	12
Wall Mounting Adaptor	18
Glass Base & Single Pole Desk Mounts	19
Desk Mount Component Range	24
<i>Ordering your custom desk mount solution</i>	28
AV Care & Screen Cleaning Accessories	29
<i>Quick reference mounting guide</i>	30
<i>Other mounting solutions from B-Tech</i>	32
Index	35

Product Info Icons: These icons can be found throughout this brochure to give you the key product information at a glance.



Maximum weight which can be mounted



Maximum screen size which can be mounted



Angle to which the mounted screen can be tilted



The mounted screen can swivel by this amount



Easy installation with all fixings included

Are you sitting comfortably?

When sitting using a display screen, it is vital that your seating position is correct in order to minimise any long term damage that may occur when sitting incorrectly for prolonged periods of time.

Tips on getting comfortable:



Adjust your chair

Be aware of the various adjustments that you can make to your chair and adjust it to the best position to achieve good posture and comfort levels.



Place your screen at eye level

Position your monitor approximately 30cm to 75cm away from your eyes. A good guide is to place the monitor about an arm's length away, with the top of the screen roughly at eye level.



Ensure your posture is correct

Once your screen is correctly positioned, ensure your posture is correct (see right) to reduce posture related aches and pains and to minimise fatigue.



Avoid screen reflection

Position the monitor to avoid reflection from overhead lighting and sunlight. If necessary, pull blinds across the windows. Adjusting the screen's brightness or contrast can also make it much easier to see.



Make objects easily accessible

Position frequently used objects, such as your telephone or stapler, within easy reach. Avoid repeatedly stretching or twisting to reach things.



Avoid wrist pain

Your wrists should be straight when using a keyboard. Keep your elbows vertical under your shoulder and right by your side. Position and use the mouse as close to you as possible.

Correct Posture



“Sitting correctly can help avoid neck, back and eye strain injuries”

Incorrect Posture



Premium Desk Mounts

The Premium Range of desk mounts has been ergonomically designed to allow the user to achieve maximum comfort whilst helping to reduce eye and neck strain injuries. Featuring smooth and easy adjustment of height, reach and tilt, the Premium Range of desk mounts are available as single arm, double arm and twin screen solutions. All mounts in this range are suitable for VESA® 75 x 75mm and 100 x 100mm mounting patterns and screens up to 9kg in weight.

Key Features of the Premium Range:

- Designed for screens up to 24" (61cm) / 9kg (20lbs)
- Multiple swivel points for maximum adjustability
- Easy tilt adjustment +/- 40°
- Tool-less height adjustment with easy locking ring
- Simple installation with all fixings included



Single Arm
BT7372



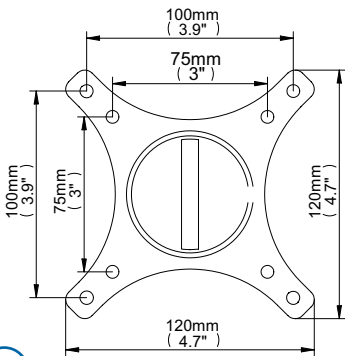
Double Arm
BT7373



Twin Screen
BT7374

Premium Features

Colour:
Graphite Black



A

Interface Plate

Suitable for screens with VESA 75 x 75mm and 100 x 100mm mounting patterns



B

Integrated Cable Management

Cable management is integrated into the mount for a clean and tidy installation



C

Height Adjustable

Easy height adjustment using tool-less locking ring



D

D All mounts include a desk clamp, grommet mount and base.

The desk clamp fixing is designed to attach the mount to the rear or side of a desk and is suitable for desks up to 70mm thick. The grommet fixing is designed to mount through a desk and is suitable for desks up to 95mm thick. As an alternative option, the desk clamp may be screwed directly into the side of a desk.



BT7399

Optional Wall Mounting Adaptor Available (separately)



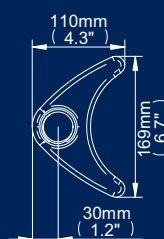
Desk Clamp



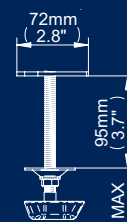
Grommet Fixing



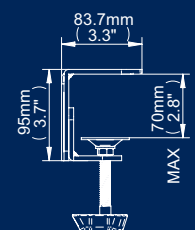
Screw Fixing



Base



Grommet



Clamp

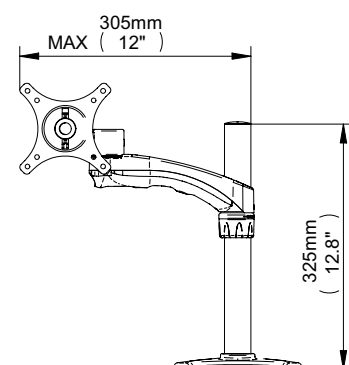
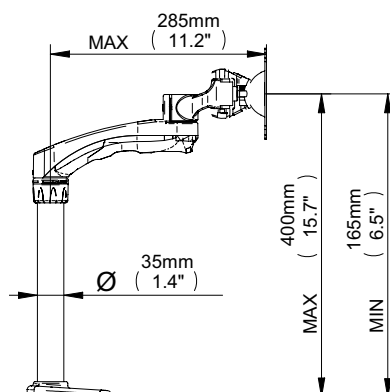


Single Arm Flat Screen Desk Mount

- Designed for screens up to 24" (61cm) / 9kg (20lbs)
- Fits screens with VESA mounting patterns:
75 x 75mm and 100 x 100mm
- Supplied with both a desk clamp and grommet
- Maximum extension: 285mm
- Easy tilt adjustment: +/-40°
- Features two swivel points:
360° at pole and 180° at interface
- Easy height adjustment using tool-less locking ring
- Simple installation with all fixings included
- Available in stylish graphite black finish



Colour:
Graphite Black

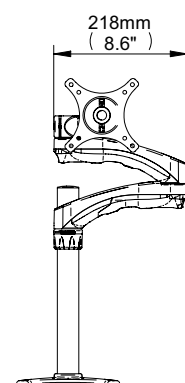
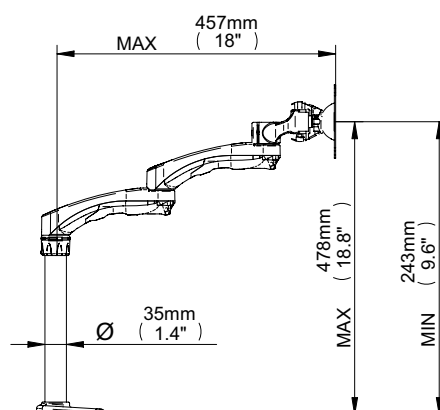


Double Arm Flat Screen Desk Mount

- Designed for screens up to 24" (61cm) / 9kg (20lbs)
- Fits screens with VESA mounting patterns:
75 x 75mm and 100 x 100mm
- Supplied with both a desk clamp and grommet
- Maximum extension: 457mm
- Easy tilt adjustment: +/-40°
- Features three swivel points:
360° at pole, 360° at pivot and 180° at interface
- Easy height adjustment using tool-less locking ring
- Simple installation with all fixings included
- Available in stylish graphite black finish



Colour:
Graphite Black



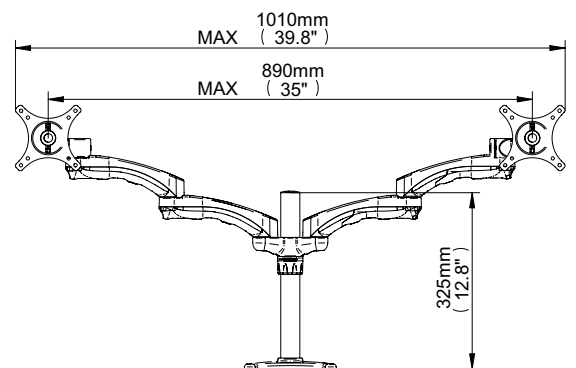
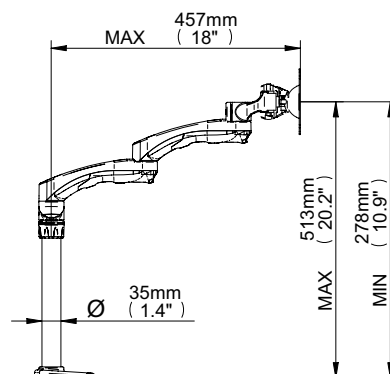


Twin Screen with Dual Articulated Arms Flat Screen Desk Mount



- Designed for screens up to 24" (61cm) / 9kg (20lbs)
- Fits screens with VESA mounting patterns: 75 x 75mm and 100 x 100mm
- Supplied with both a desk clamp and grommet
- Maximum extension: 457mm
- Easy tilt adjustment: +/-40°
- Features three swivel points on each arm: 360° at pole, 360° at pivot and 180° at interface
- Easy height adjustment using tool-less locking ring
- Simple installation with all fixings included
- Available in stylish graphite black finish

Colour:
Graphite Black



Safe Solid Secure



mountlogic®
range

With a Premium Desk Mount from B-Tech, you'll never need a monitor stand again.

The Premium Range of desk mounts has been ergonomically designed to allow the user to achieve maximum comfort whilst helping to reduce eye and neck strain injuries. All mounts are suitable for VESA 75 x 75mm and 100 x 100mm mounting patterns and have integrated cable management.

www.btechavmounts.com



Single Arm
BT7372



Double Arm
BT7373



Twin Screen
BT7374



fullmotionmounts



Full Motion Desk Mounts



The range of Full Motion desk mounts, like the Premium Range, have been ergonomically designed to help maintain good posture whilst helping to reduce eye and neck strain injuries. Designed for applications where frequent adjustments to the screen position are required, the Full Motion mounts feature super smooth adjustment of height, reach and tilt. Full Motion mounts are available as single arm, double arm and twin screen solutions and are all suitable for VESA 75 x 75mm and 100 x 100mm mounting patterns and screens up to 9kg.

Key Features of the Full Motion Range:

- Designed for screens up to 24" (61cm) / 9kg (20lbs)*
- Multiple swivel points for maximum rotation
- Easy tilt adjustment +/- 40°
- Tool-less height adjustment using the locking ring
- Arm tension adjustment to suit screens up to 9kg (20lbs)
- Simple installation with all fixings included



Single Arm
BT7382



Double Arm
BT7383

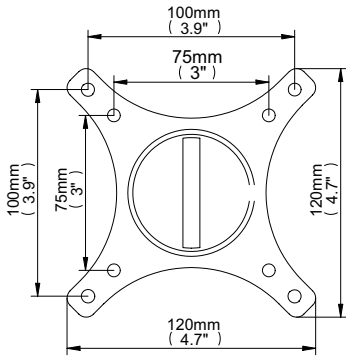


Twin Screen
BT7384

*Minimum recommended screen weight: 1.5kg (3.3lbs)

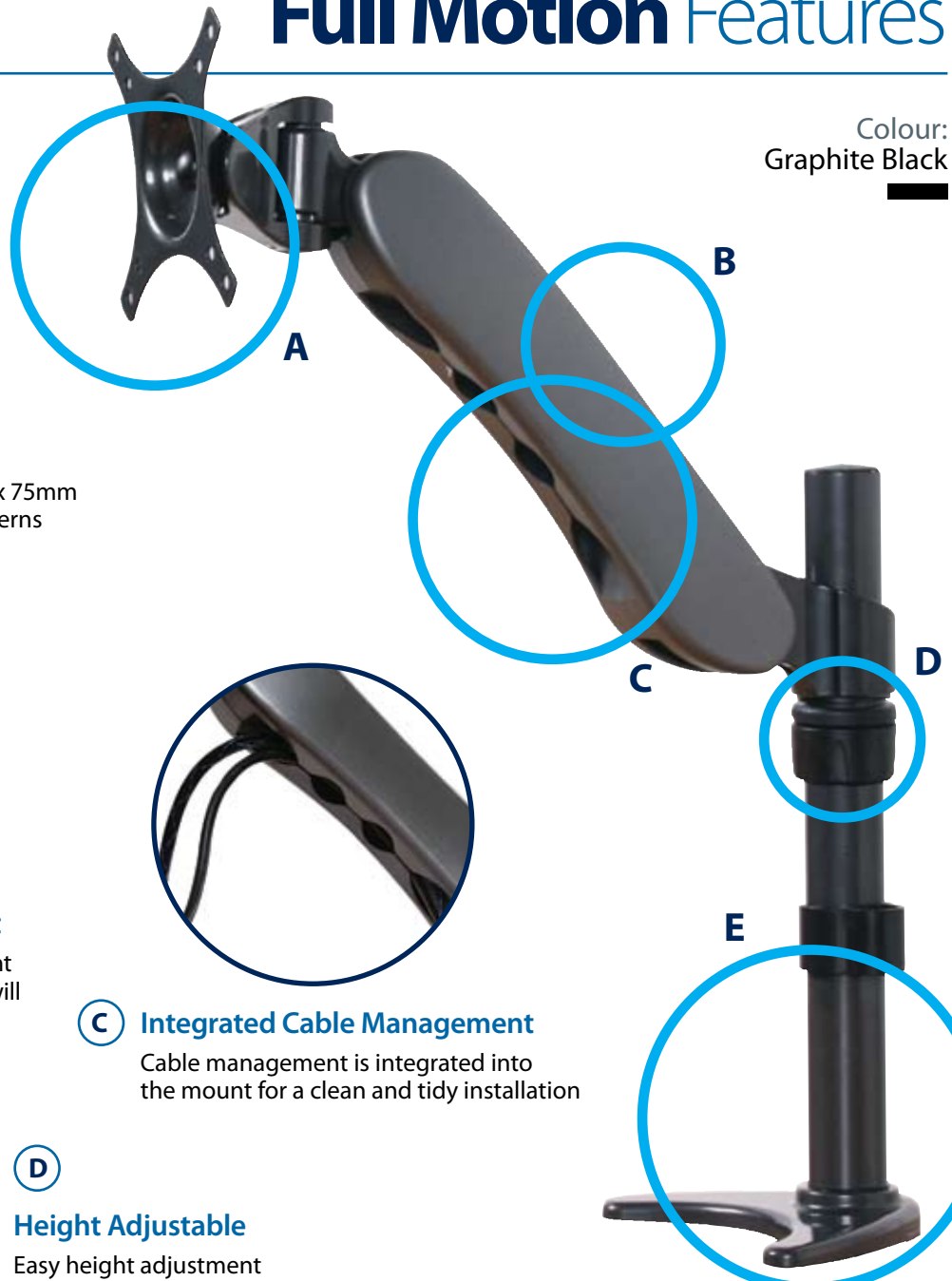
Full Motion Features

Colour:
Graphite Black



A Interface Plate

Suitable for screens with VESA 75 x 75mm and 100 x 100mm mounting patterns



B Inbuilt Tension Adjustment

The integrated tension adjustment mechanism ensures the mount will support screens up to 9kg (20lbs)

C Integrated Cable Management

Cable management is integrated into the mount for a clean and tidy installation

D Height Adjustable

Easy height adjustment using tool-less locking ring

E All mounts include a desk clamp, grommet mount and base.

The desk clamp fixing is designed to attach the mount to the rear or side of a desk and is suitable for desks up to 70mm thick. The grommet fixing is designed to mount through a desk and is suitable for desks up to 95mm thick. As an alternative option, the desk clamp may be screwed directly into the side of a desk.



BT7399

Optional Wall Mounting Adaptor Available (separately)



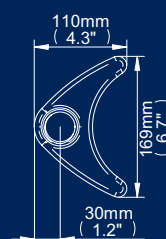
Desk Clamp



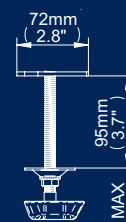
Grommet Fixing



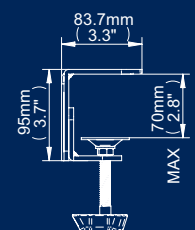
Screw Fixing



Base



Grommet



Clamp



fullmotionmounts



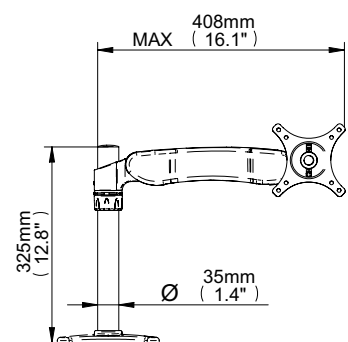
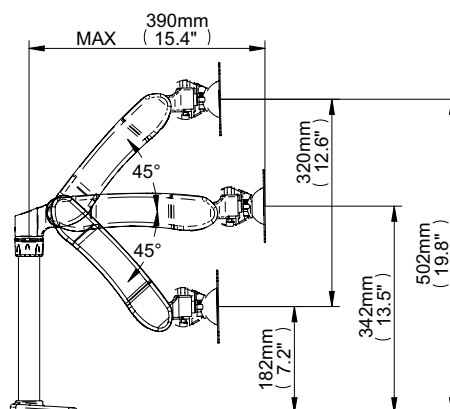
Full Motion Single Arm Flat Screen Desk Mount

- Designed for screens up to 24" (61cm) / 9kg (20lbs)
- Fits screens with VESA mounting patterns: 75 x 75mm and 100 x 100mm
- Supplied with both a desk clamp and grommet
- Maximum extension: 390mm
- Easy tilt adjustment: +/-40°
- Features two swivel points: 360° at pole and 180° at interface
- Easy height adjustment using tool-less locking ring
- Simple installation with all fixings included
- Available in stylish graphite black finish

*Minimum recommended screen weight: 1.5kg (3.3lbs)

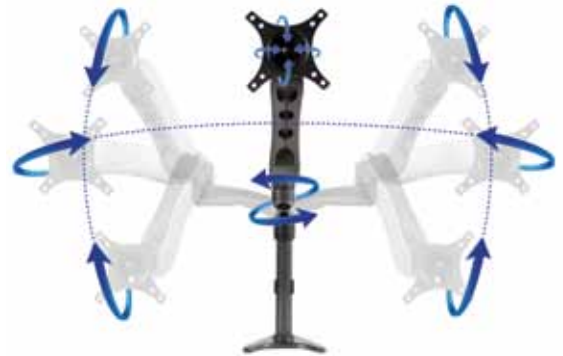


Colour:
Graphite Black





fullmotionmounts

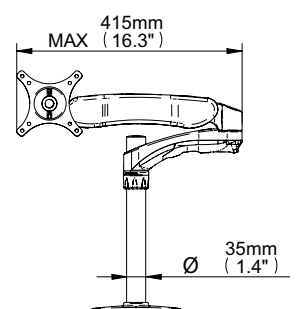
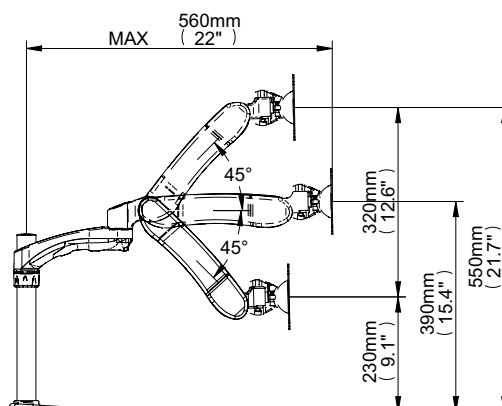


Full Motion Double Arm Flat Screen Desk Mount

- Designed for screens up to 24" (61cm) / 9kg (20lbs)
- Fits screens with VESA mounting patterns:
75 x 75mm and 100 x 100mm
- Supplied with both a desk clamp and grommet
- Maximum extension: 560mm
- Easy tilt adjustment: +/-40°
- Features three swivel points:
360° at pole, 360° at pivot and 180° at interface
- Easy height adjustment using tool-less locking ring
- Simple installation with all fixings included
- Available in stylish graphite black finish

**Minimum recommended screen weight: 1.5kg (3.3lbs)*

Colour:
Graphite Black





fullmotionmounts



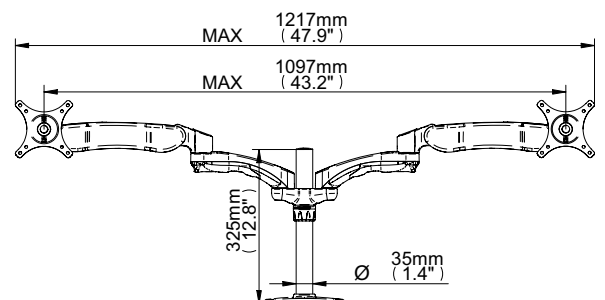
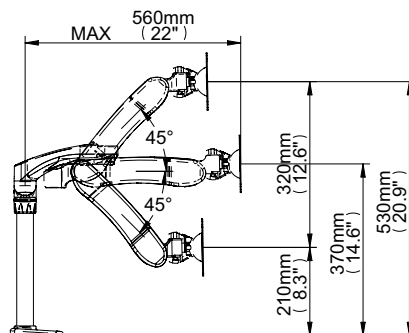
Full Motion Twin Screen with Dual Articulated Arms Flat Screen Desk Mount

- Designed for screens up to 24" (61cm) / 9kg (20lbs)
- Fits screens with VESA mounting patterns: 75 x 75mm and 100 x 100mm
- Supplied with both a desk clamp and grommet
- Maximum extension: 560mm
- Easy tilt adjustment: +/-40°
- Features two swivel points: 360° at pole, 360° at pivot and 180° at interface
- Easy height adjustment using tool-less locking ring
- Simple installation with all fixings included
- Available in stylish graphite black finish

**Minimum recommended screen weight: 1.5kg (3.3lbs)*



Colour:
Graphite Black



Find the perfect view...



mountlogic[®]
range

Full Motion Desk Mounts from B-Tech. Simple to install, easy to adjust and great to use. The obvious desk mounting solution.

The Full Motion Range of desk mounts has been designed to allow the user to achieve optimum screen positioning and maximum user comfort, whilst helping to reduce eye and neck strain injuries. With motion assisted arms, the Full Motion Range allows for quick and easy positioning and re-positioning of a screen without the need for tools. All mounts are suitable for VESA 75 x 75mm and 100 x 100mm mounting patterns and have integrated cable management for a smart installation.

www.btechavmounts.com



Single Arm
BT7382



Double Arm
BT7383



Twin Screen
BT7384



Wall Mounting Adaptor for Flat Screen Desk Mounts

- Designed to attach any B-Tech Premium or Full Motion desk mount to the wall
- Retains all movement functionality of the attached desk mount
- Features built in 'level bubble'
- Simple installation with all fixings included
- Available in stylish graphite black finish

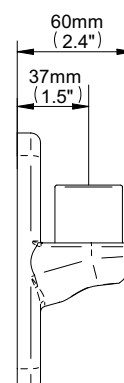
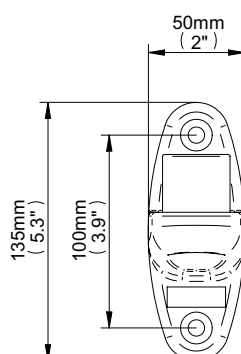
**Arm sold separately*



Colour:
Graphite Black



EASY INSTALL





AViBALL® Technology

Glass Base and Single Pole Desk Mounts

As a stylish alternative to the traditional desk mounted arms, B-Tech offer a number of other desk mounting solutions. Glass based desk mounts are a stylish mounting option for 1 to 6 screens. The glass base not only looks smart, it also provides a convenient storage space beneath the screens to place your keyboard and mouse when not in use. Other desk mount options include single pole mounts, offering secure screen mounting with limited user adjustability - ideal for applications such as hotels and reception desks.

BT7332



Cable management and pole end ring included for a clean and tidy installation



10mm stylish tempered glass base & non-slip rubber feet

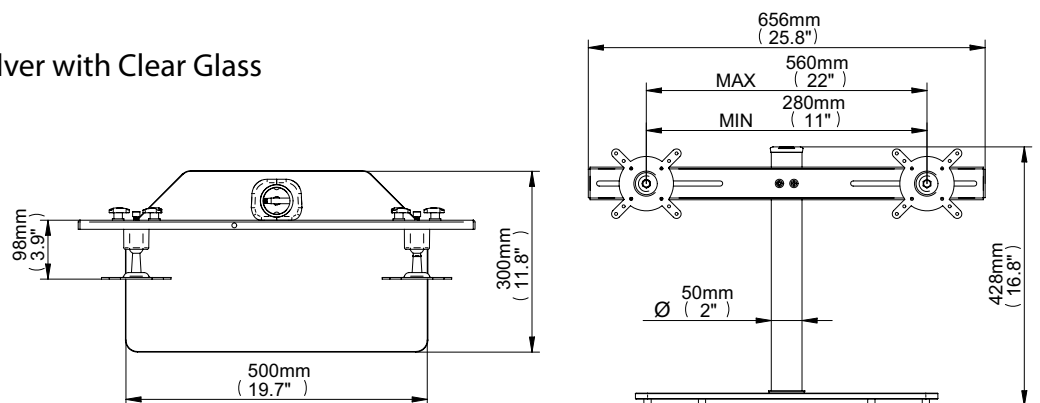


Twin Screen with Glass Base Flat Screen Desk Mount with AViBALL® Technology

- Designed to hold 2 screens up to 22" (55cm) / 15kg (33lbs)
- Fits screens with VESA mounting patterns:
50 x 50mm, 75 x 75mm and 100 x 100mm
- Stylish tempered 10mm thick safety glass base & non-slip rubber feet
- Lateral screen adjustment along horizontal rail
- Easy tilt and swivel adjustment of 37° in any direction
- Cable management included for smart installation
- Simple installation with all fixings included



Colour:
Black with Black Glass / Silver with Clear Glass





Triple Screen with Glass Base Flat Screen Desk Mount

with AViBALL® Technology

- Designed to hold 3 screens up to 22" (55cm) / 15kg (33lbs)
- Fits screens with VESA mounting patterns:
75 x 75mm and 100 x 100mm
- Stylish tempered safety glass base & non-slip rubber feet
- Lateral screen adjustment along horizontal rail
- Easy tilt and swivel adjustment of 37° in any direction
- Cable management included for smart installation
- Simple installation with all fixings included

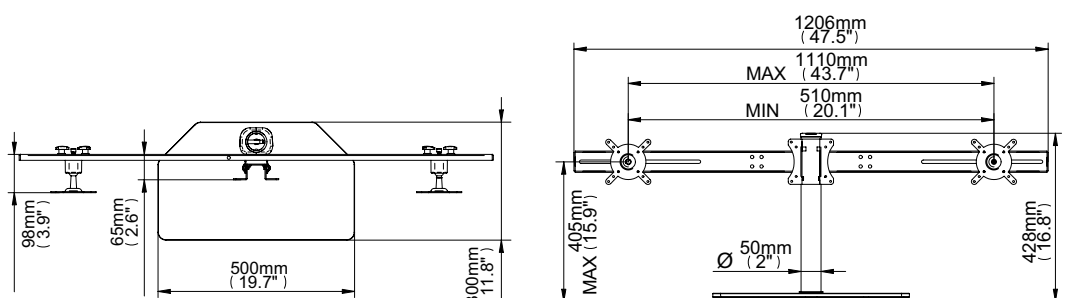


10mm stylish tempered glass base & non-slip rubber feet



Cable management and pole end ring included for a clean and tidy installation

Colour:
Black with Black Glass / Silver with Clear Glass



Flat Screen Desk Mount with Swivel

- Designed for screens up to 42" (106cm) / 40kg (88lbs)
- Fits screens with VESA mounting patterns: 75 x 75mm and 100 x 100mm*
- Height from desk to centre of interface: 442mm (17.4")
- Supplied with optional nylon bearings to allow 360° swivel of the screen and mount
- Bolt supplied is suitable for desks up to 40mm (1.6") thick
- Cable management included for smart installation
- Simple installation with all fixings included
- Can be used with BT7506 or BT7502 VESA interface plates for use with VESA 200 x 100mm or 200 x 200mm screen mounting patterns

*May require a VESA adaptor



Ideal for heavy duty commercial applications

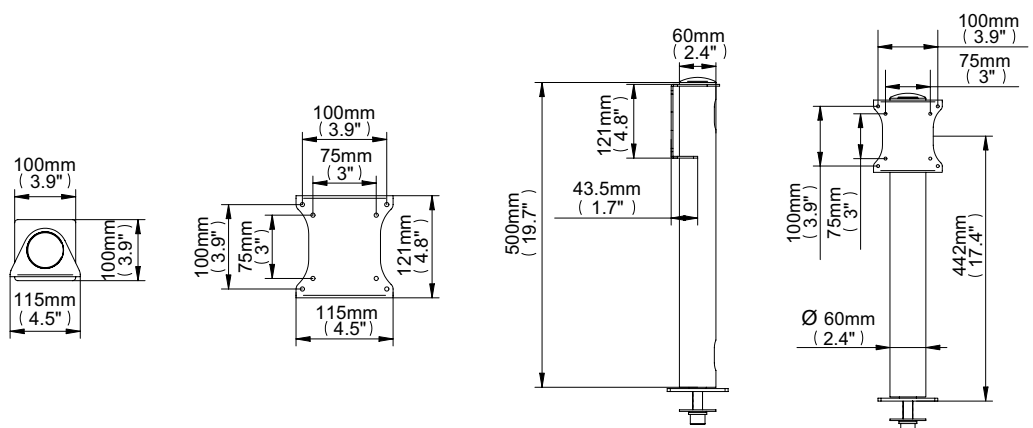


Fits Screens with VESA mounting patterns: 75 x 75mm & 100 x 100mm



Cable management included for a clean and tidy installation

Colour:
Gloss Silver / Chrome



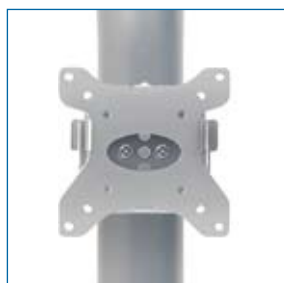
Flat Screen Desk Mount Pole with Swivel

- Designed for screens up to 42" (106cm) / 40kg (88lbs)
- Bolt supplied is suitable for desks up to 40mm (1.6") thick
- Bearing allows smooth and easy 360° swivel
- Height adjustable along the 0.5m pole
- Pole features security notch to stop collar being removed after installation
- Cable management included for smart installation
- Simple installation with all fixings included

**Must be used in conjunction with B-Tech 60mm accessory collar(s) and flat screen mount (sold separately)*



Ideal for use on hotel work desk areas

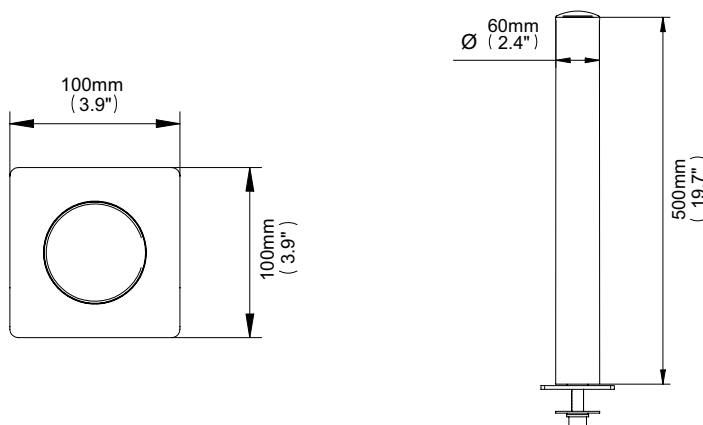


Must be used in conjunction with B-Tech 60mm accessory collar(s) and flat screen mount (sold separately)



Cable management included for a clean and tidy installation

Colour:
Gloss Silver / Chrome



BT7300 Component Range

The **BT7300** range is a modular desk mounting system for mounting up to 6 screens. The range contains components which allow the mounting of screens by means of clamping at the rear or side of a desk, or through cable management holes found on most desks. The range also includes a glass base which supports multi-screen setups with a weight up to 90kg.

Please refer to page 28 for ordering information.



BT7322

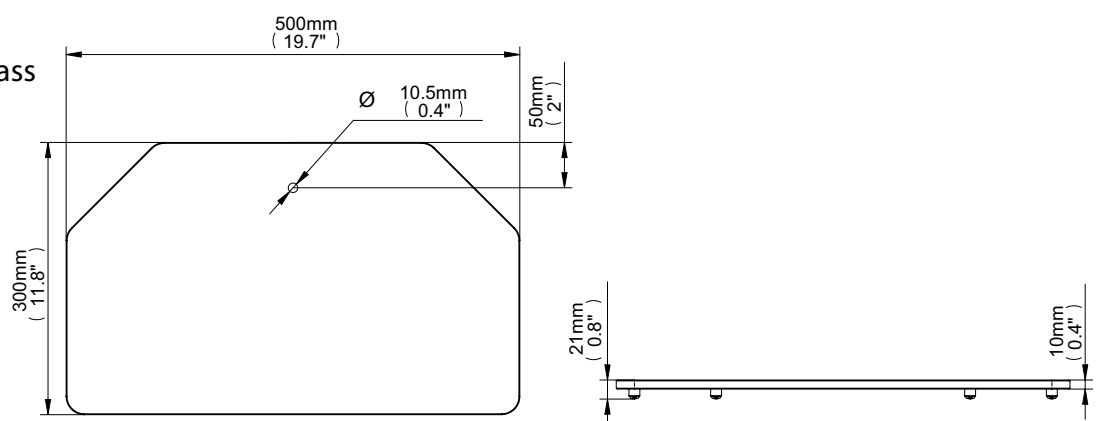
Glass Base for BT7300 range

- Desk mount base designed to support a 50mm diameter pole
 - Designed to hold a keyboard when not in use
 - 10mm tempered safety glass
 - Supplied with non-slip rubber feet
 - Simple installation with all fixings included
- *Must be used with a BT7325 or BT7326 Pole (sold separately)*



10mm stylish tempered glass base & non-slip rubber feet

Colour:
Clear Glass / Black Glass



BT7323

Cable Manager Base for BT7300 range



- Designed to attach a 50mm diameter pole to a desk using standard cable management holes or a drilled hole
- Cable management allows the cables to pass through the desk for a smart installation
- Suitable for use with desk cable management holes up to $\varnothing 80\text{mm}$
- Fits to desks up to 40mm (1.6") thick
- Base dimension $\varnothing 120\text{mm}$
- Simple installation with all fixings included

**Must be used with a BT7325 or BT7326 Pole (sold separately)*



Allows cables to pass through the desk

Colour:
Black / Gloss Silver

90kg (198lbs) EASY INSTALL

120mm (4.7")
36mm (1.4")
66mm (2.6")
40mm MAX (1.6")

BT7324

Desk Clamp for BT7300 range

- Designed to clamp a 50mm diameter pole to a desk
- Fits desks up to 75mm (3") thick
- Simple installation with all fixings included

**Must be used with a BT7325 or BT7326 Pole (sold separately)*



Fits desks up to 75mm (3") thick

Colour:
Black / Gloss Silver

90kg (198lbs) EASY INSTALL

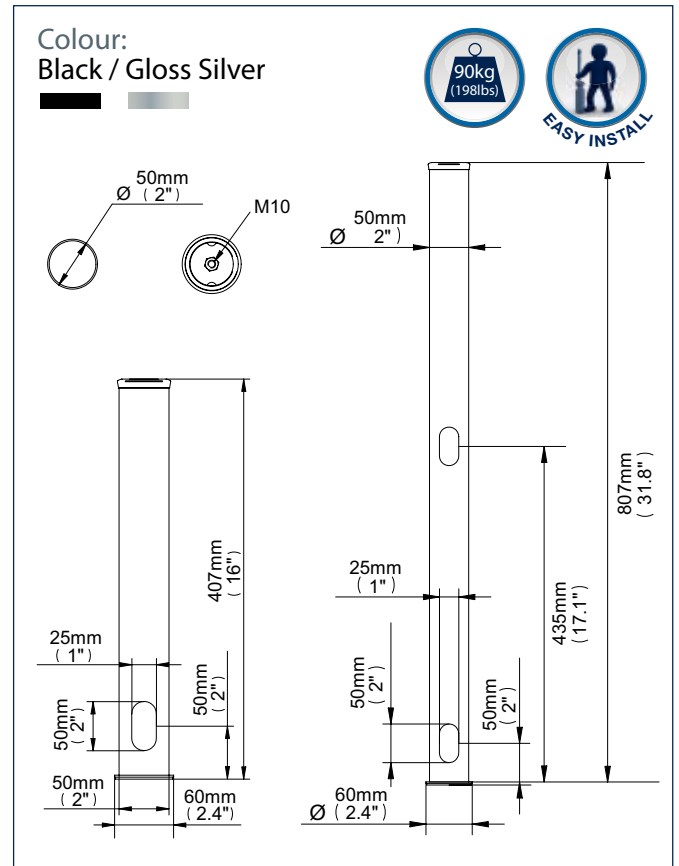
100mm (3.9")
100mm (3.9")
75mm MAX (3")

Desk Mount Pole

0.4m / 0.8m

- \varnothing 50mm poles designed for use with BT7300 desk mount range
- Integrated cable management allows cables to pass through the pole
- Supplied with pole end ring for smart installation
- Can be cut to required length
 - *Must be used with BT7322 or BT7323 or BT7324 (sold separately)
 - *Must be used with 50mm accessory collar BT7052 or BT7051 (sold separately)
 - *Recommended for use with BT7320 or BT7321 for multiple screen mounting or BT7510 or BT7511 for single screen mounting (sold separately)

BT7325: 0.4m / BT7326: 0.8m

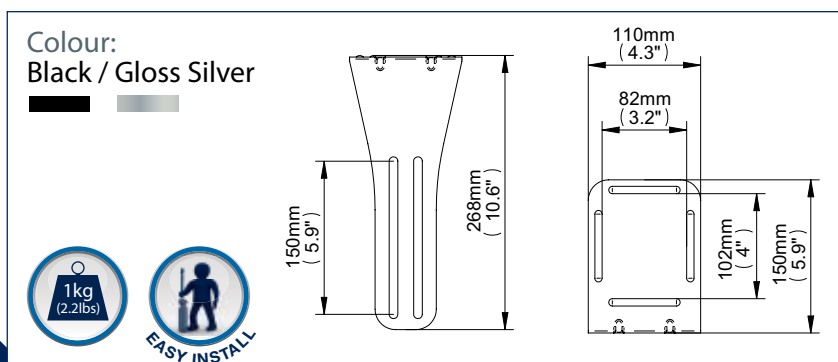
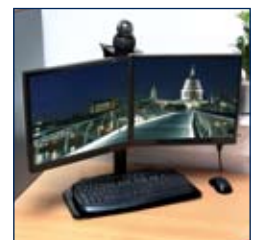


BT7340

Webcam Shelf

for collar mounting

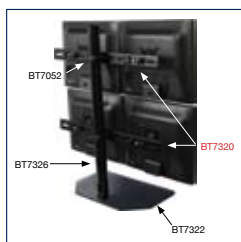
- Designed to attach to B-Tech accessory collars and mount a webcam above a pole mounted screen
- Maximum webcam footprint: W 82mm x D 102mm
- Slot mounting allows adjustment for use with screens up to 22" when used with BT7300 range
- Ideal for use with the BT7320, BT7321, BT7332 or BT7333
- Simple installation with all fixings included
 - *Collar sold separately



Screen Mounting Rail for 2 flat screens

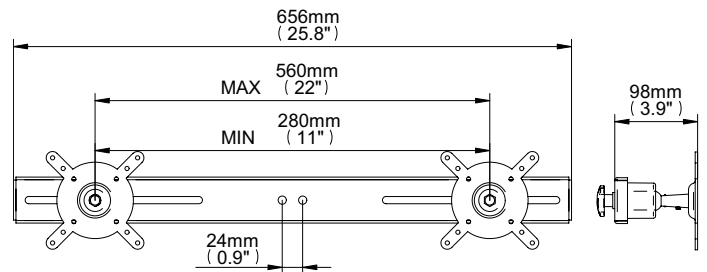
with AViBALL® Technology

- Suitable for screens using 50 x 50mm, 75 x 75mm and 100 x 100mm VESA mounting patterns
- Designed to hold 2 screens up to 22" widescreen (Max 15kg per screen)
- Attaches to any B-Tech accessory collar
- Lateral screen adjustment along horizontal rail for optimum screen positioning
- Easy tilt and swivel adjustment 37° in any direction
- All fixings included
- Pole, pole mount and collar sold separately



Ideal for two or four screen arrangement

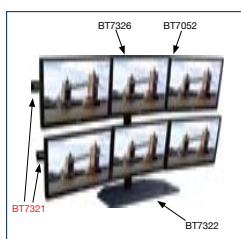
Colour:
Black / Gloss Silver



Screen Mounting Rail for 3 flat screens

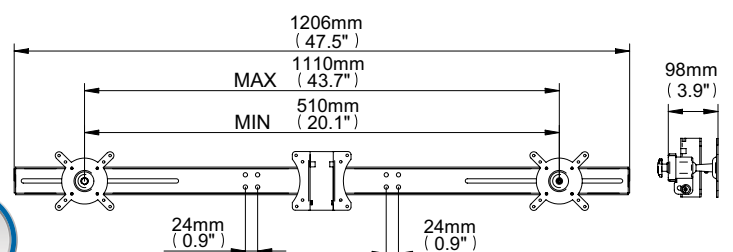
with AViBALL® Technology

- Suitable for screens using 50 x 50mm, 75 x 75mm and 100 x 100mm VESA mounting patterns
- Designed to hold 3 screens up to 22" widescreen (Max 15kg per screen)
- Attaches to any heavy duty B-Tech accessory collar
- Lateral screen adjustment along horizontal rail for optimum screen positioning
- Easy tilt and swivel adjustment 37° in any direction
- All fixings included
- Pole, pole mount and collar sold separately



Ideal for three or six screen arrangement

Colour:
Black / Gloss Silver



How to Order: Flat Screen Desk Mounts

BT7300 Component Range

Step 1

Choose a base mount



BT7322
Glass Base



BT7323
Cable Manager Mount



BT7324
Desk Clamp

Step 2

Choose a support column



BT7325
0.4m Pole with
Cable Management



BT7326
0.8m Pole with
Cable Management

Step 3

Choose a collar(s)



BT7052
Collar for 50mm diameter Poles
(for use with single or 2 screen mount)



BT7051
Heavy Duty Collar for 50mm diameter Poles
(for use with 3 screen mount)

Step 4

Choose a screen mount



BT7510 / BT7511
Or any other collar compatible
B-Tech Screen Mount



BT7320
Screen Mounting Rail
for 2 screens



BT7321
Screen Mounting Rail
for 3 screens

Step 5

Add an accessory (if required)



BT7340
Webcam Shelf



BT7506
200 x 100mm
VESA Adaptor Plate



BT7502
200 x 200mm
VESA Adaptor Plate

Flat Screen Cleaning Kits



**Ensure screen is turned off and cool before cleaning*



For Small Screens BTBIB641

- Specially designed for cleaning TFT, LCD, LED and Plasma screens
- Anti-static cleaning gel – specifically formulated not to run down screen
- Replacement cloth included
- Includes wiper to enable a cleaner streak free finish than traditional cloth methods
- To keep screens clean and to prevent static build up, it is recommended that the screen is cleaned at least once a week with this kit



For Large Screens BTBIB642

Premium Laser Lens Cleaners



BTBIB47N PREMIUM BLU-RAY LASER LENS CLEANER

- Cleans Blu-Ray laser lens for improved picture and sound quality
- Three ultra-fine micro-fibre, optical grade brushes
- On-screen instructions and menu
- Compatible with Blu-Ray players, PS3®, BD and BD-R drives



BTBIB37N PREMIUM 10 BRUSH DVD LASER LENS CLEANER

- Cleans DVD laser lens for improved picture and sound quality
- Ten micro-fibre, optical grade brushes
- On-screen instructions and menu
- Surround sound test program
- Colour calibration program
- Also compatible with PS3®, Xbox 360® and PCs



BTBIB639N PREMIUM 10 BRUSH CD LASER LENS CLEANER

- Cleans CD laser lens for improved sound quality
- Ten micro-fibre, optical grade brushes
- On-disc audio instructions and audio system diagnostic test program
- Also compatible with PS3®, Xbox 360®, PCs and CD autochangers

Full Motion Range Desk Mounts

Single Arm BT7382



Features:

- Designed for screens up to 24" (61cm) / 9kg (20lbs)
- Fits screens with VESA mounting patterns: 75 x 75mm and 100 x 100mm
- Maximum extension: 390mm
- Easy tilt adjustment +/- 40°



Double Arm BT7383



Features:

- Designed for screens up to 24" (61cm) / 9kg (20lbs)
- Fits screens with VESA mounting patterns: 75 x 75mm and 100 x 100mm
- Maximum extension: 560mm
- Easy tilt adjustment +/- 40°



Twin Screen BT7384



Features:

- Designed for screens up to 24" (61cm) / 9kg (20lbs)
- Fits screens with VESA mounting patterns: 75 x 75mm and 100 x 100mm
- Maximum extension: 560mm
- Easy tilt adjustment +/- 40°



Premium Range Desk Mounts

Single Arm BT7372



Features:

- Designed for screens up to 24" (61cm) / 9kg (20lbs)
- Fits screens with VESA mounting patterns: 75 x 75mm and 100 x 100mm
- Maximum extension: 285mm
- Easy tilt adjustment +/- 40°



Double Arm BT7373



Features:

- Designed for screens up to 24" (61cm) / 9kg (20lbs)
- Fits screens with VESA mounting patterns: 75 x 75mm and 100 x 100mm
- Maximum extension: 457mm
- Easy tilt adjustment +/- 40°



Twin Screen BT7374



Features:

- Designed for screens up to 24" (61cm) / 9kg (20lbs)
- Fits screens with VESA mounting patterns: 75 x 75mm and 100 x 100mm
- Maximum extension: 457mm
- Easy tilt adjustment +/- 40°



Glass Base Kits

Twin Screen BT7332



Features:

- Designed for 2 widescreens up to 22" (55cm) / 15kg (33lbs)
- Fits screens with VESA mounting patterns: 50 x 50mm, 75 x 75mm and 100 x 100mm
- Lateral screen adjustment along rail
- +/-37° tilt and swivel in any direction



Triple Screen BT7333



Features:

- Designed for 3 widescreens up to 22" (55cm) / 15kg (33lbs)
- Fits screens with VESA mounting patterns: 75 x 75mm and 100 x 100mm
- Lateral screen adjustment along rail
- +/-37° tilt and swivel in any direction



Accessories

Wall Mounting Adaptor BT7399



Features:

- Designed to attach any B-Tech Premium or Full Motion desk mount to the wall
- Retains all movement functionality of the attached desk mount
- Features built in 'level bubble'



Single Pole Mounts

With Screen Interface BT7304



Features:

- Designed for screens up to 42" (106cm) / 40kg (88lbs)
- Fits screens with VESA mounting patterns: 75 x 75mm and 100 x 100mm
- Height from desk to interface: 442mm
- 360° swivel of screen and mount



Without Screen Interface BT7305



Features:

- Designed to mount screens to table top surfaces up to 40mm (1.6") thick
- Height adjustable along the 0.5m pole
- 360° swivel of screen and mount
- Must be used with B-Tech 60mm accessory collar and flat screen mount (sold separately)



Webcam Shelf BT7340



Features:

- Attaches to B-Tech accessory collars and mounts a webcam above a pole mounted screen
- Max webcam footprint: W: 82mm x D: 102mm
- Ideal for use with with: BT7320, BT7321, BT7332 or BT7333



A range of mounting solutions all under one roof

B-Tech's comprehensive range of AV mounts and supports are specifically designed for use with all of your home AV equipment. Easily identifiable by the **mountlogic[®]** logo, this core line of over 50 of our most popular mounting solutions come with a variety of features making them reliable, user friendly and aesthetically pleasing. These features include: quick and easy '3-step' installation, 'OWLS™' On Wall Levelling System, cable management, security screws and detailed instructions and packaging.

Flat Screen Mounts - Projector Mounts - Speaker Mounts - Desk Mounts



Kitchen

Mounting solutions for small flat screens, under cabinet screens and microwaves.



Living Room

Extensive range of mounts and accessories for all home entertainment AV equipment.



Study

In depth range of desk mounts and accessories for your home office equipment.



Living Room

Bedroom

Study

Kitchen



Bedroom

Mounts for flat screens of all sizes, whether small or extra large.

B-Tech specialise in mounting solutions for every room in the house!



A full range of AV Mounting Solutions from B-Tech

In addition to this comprehensive range of flat screen desk mounts, B-Tech also offers an extensive range of AV mounts, supports and accessories for virtually any application. For the professional installer, the System 2™ and Pro Install ranges offer solutions for commercial applications with all products designed to meet the stringent TUV/GS safety standards.



Download your copy today!



Full Line Catalogue

Features our complete range of mounts, supports and accessories, this catalogue is the one stop reference for all your mounting needs.



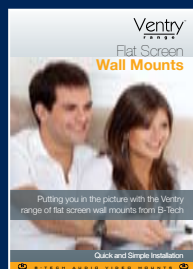
AV Controls

A range of AV controls and switches from B-Tech.



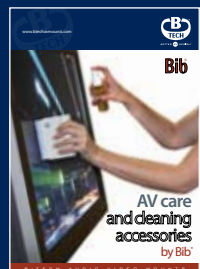
Mountlogic Range

The core line of over 50 of our most popular mounting solutions, catering for every room in your house.



Ventry Range

Our entry range of mounting solutions offer excellent value for money with a number of added features.



AV Care & Cleaning

A range of AV Care and Cleaning products from Bib® - AV care and cleaning since 1954.

for more information visit www.btechavmounts.com



Index

Product code	Page number	Product code	Page number
--------------	-------------	--------------	-------------

Premium Desk Mounts

BT7372	08
BT7373	09
BT7374	10

Full Motion Desk Mounts

BT7382	14
BT7383	15
BT7384	16

Glass Base and Single Pole Desk Mounts

BT7332	20
BT7333	21
BT7304	22
BT7305	23

Component Range

BT7320	27
BT7321	27
BT7322	24
BT7323	25
BT7324	25
BT7325	26
BT7326	26

Accessories

BT7340	26
BT7399	18

Bib® Products

BTBIB37N	29
BTBIB639N	29
BTBIB47N	29
BTBIB641	29
BTBIB642	29

www.btechavmounts.com



Distributed by...



B-TECH AUDIO VIDEO MOUNTS

B-TECH INTERNATIONAL LIMITED

Bennett House, Long March, Daventry,
Northamptonshire, NN11 4NR, UK

From within the UK Tel: 0844 800 0445 • Fax: 0844 800 0446

From outside the UK Tel: +44 (0)1327 300787 • Fax: +44 (0)1327 706562

Email: info@btechavmounts.co.uk

B-TECH PRO-AV BVBA

Brixtonlaan 32, Zaventem 1930,
Brussels, Belgium

Tel: +32 (0)2 720 9271

Fax: +32 (0)2 725 4215

Email: info@btechproav.com

B-TECH AUDIO VIDEO MOUNTS

203 Eggert Road, Buffalo,
NY 14215, USA

Tel: (1) 800 975 5812

Fax: (1) 800 592 2876

Email: info@btechavmounts.com

B-TECH AV MOUNTS PTE LTD

Ruby Industrial Complex,
Singapore 347740

Tel: (+65) 6841 2988

Fax: (+65) 6491 5613

Email: info@btechavmounts.com.sg

B-TECH INTERNATIONAL (Hong Kong) LTD

1503 Prosperity Millennia Plaza,
663 King's Road, Quarry Bay, Hong Kong

Tel: (+852) 2556 7337

Fax: (+852) 2556 7321

Email: info@btechavmounts.com.hk

www.btechavmounts.com



Designed & Engineered in the UK

©2010 Bennett Technologies Limited. All rights reserved. B-Tech Audio Video Mounts is a division of Bennett Technologies Limited. B-Tech, Better By Design, Mountlogic, System 2, Ventry and Bib are registered trademarks of Bennett Technologies Limited. All other brands and product names are trademarks of their respective owners. Photographs are for illustrative purposes only. Screens not included. E&OE



B - T E C H A U D I O V I D E O M O U N T S

