

SONOROUS® | ELEMENTS

SONOROUS[®]

SONOROUS, designers & manufacturers of quality Audio & Video furniture and accessories offering functionality and aesthetics.

Founded in 2004 and growing through design, innovation and quality, to a global reputation.

Represented worldwide in more than 50 countries through strategic partnerships with an extensive network of distributors who share our commitment to excellence. Our products are engineered to meet the demanding needs of today's entertainment equipment and electronics and constantly evolving to meet style and technological trends.

Continuous research into materials and finishes, the distinguishing characteristic of **SONOROUS**...



ELEMENTS

ELEMENTS are a new Concept to display and discreetly store all your Audio / Video equipment right at the heart of your living space. Exceptional design and a modular cabinet units offer the perfect solution for the Audio / Video equipment and accessories that are a central part of your home.

Special attention has been given to offer discrete storage solutions, be practical in use for all your home entertainment, yet meet the style and design statement required by the most demanding home owner.

Contemporary designs of lacquered tempered glass and wood are the core of elements.

Modular; for exceptional freedom to meet your requirements. The concept is simple and convincing. Quality without compromise.































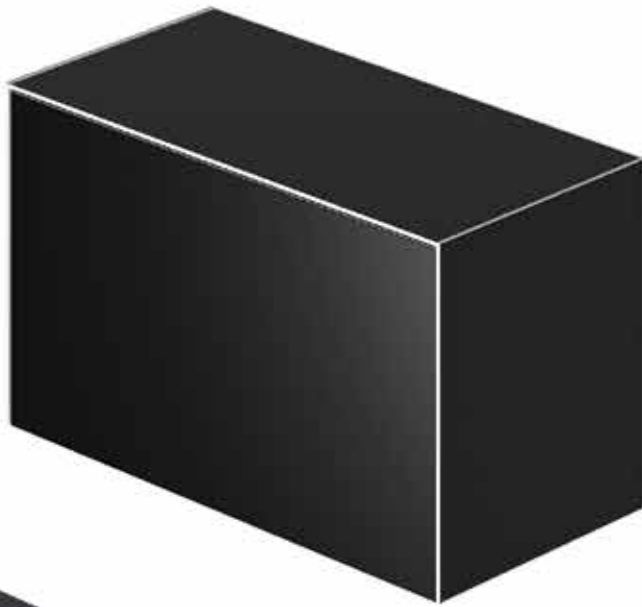




MODULAR CONSTRUCTION

Modular construction offers complete freedom to arrange cabinets as you require, attached to floor and/or walls.

A system of furniture combining elegance, technical performance and perfection.

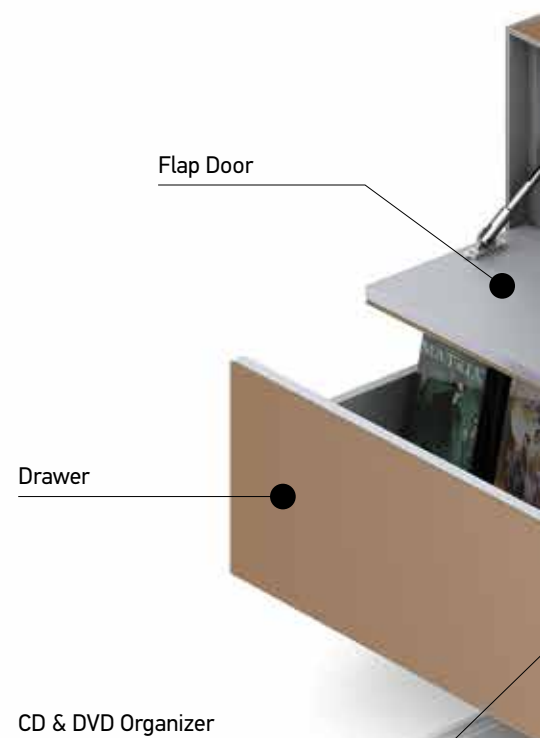


DRAWER SLIDES & FLAP DOORS

High-quality flap mechanism ensures soft opening and closing. Drawers incorporate high performance and luxury “push to open” mechanisms

CD & DVD ORGANIZER

Anodized aluminium CD and DVD storage, can be integrated into drawers.





ACOUSTIC FABRIC

DVD Player, set top box, amplifier, media players, game consoles can all be placed behind flaps which are covered with acoustic fabric. Designed to ensure adequate ventilation so devices don't overheat.

A sound bar, loudspeakers and subwoofers can be placed and operated hidden from view without affecting performance.







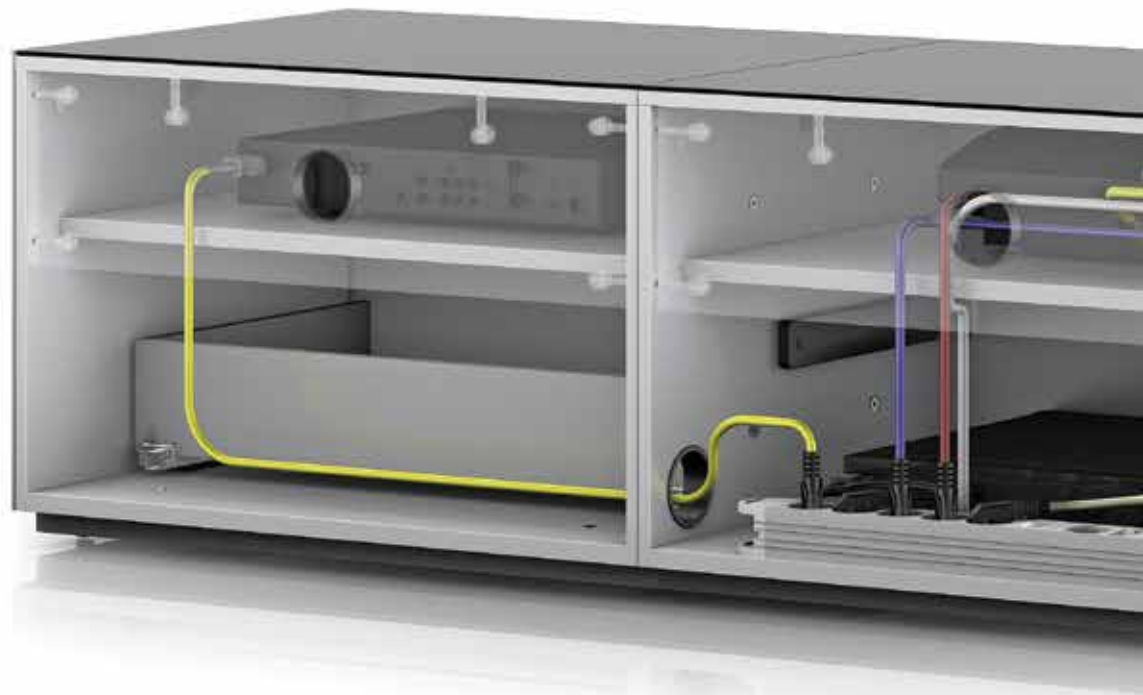
IR REPEATER

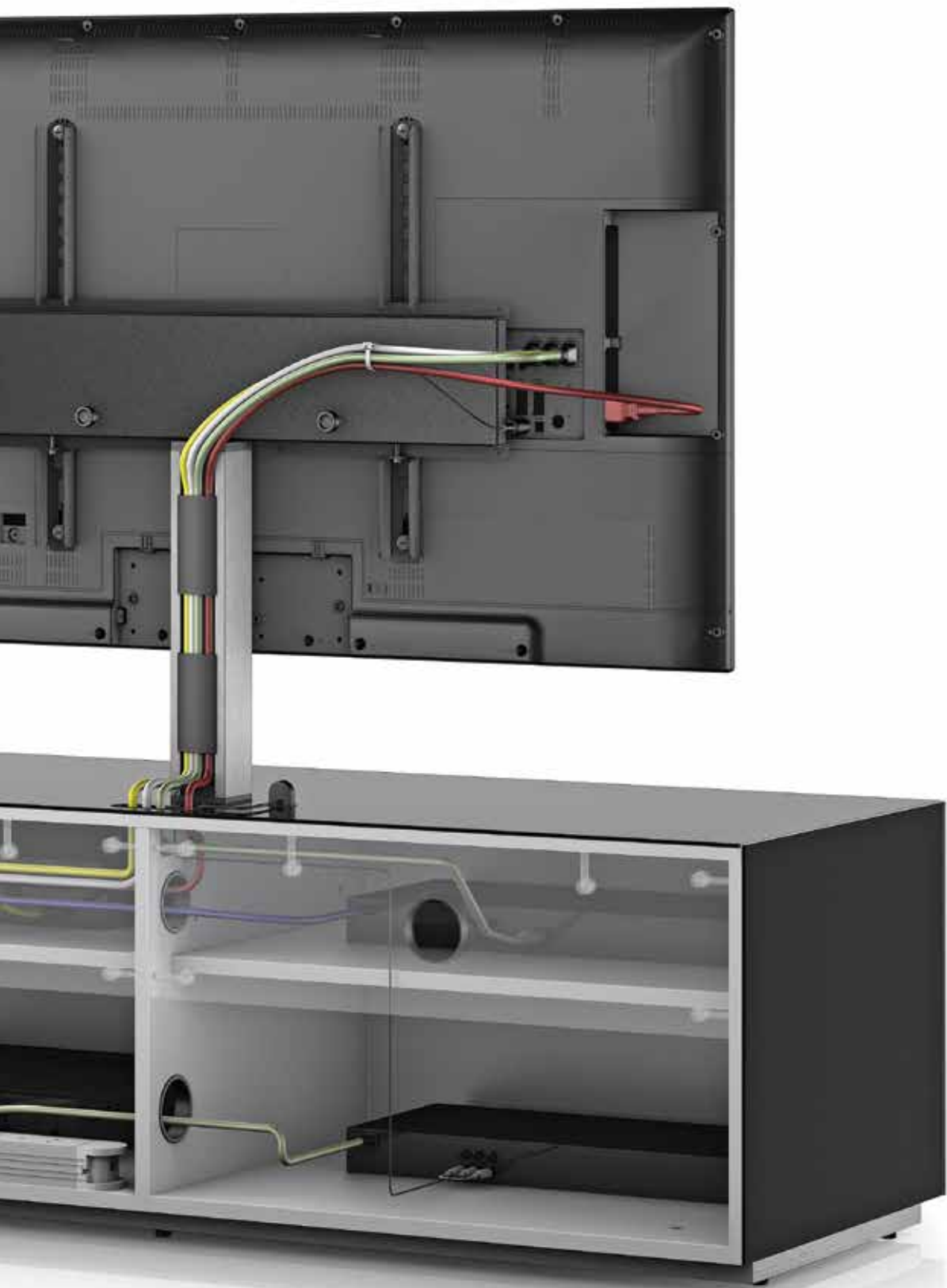
Control all your equipment with your remotes whilst they remain out of sight. Our Infrared Repeater system relays remote control signals to equipment that remains out of sight within the cabinet.



CABLE MANAGEMENT

Cables are an essential part of your system, but you don't want to see them. Multiple and discrete horizontal and vertical cable channels make for easy access for cabling through shelves yet keeping them hidden within the cabinet.





ROTATING MOUNT

Specially brushed anodised aluminium profile is used for TV mounting with rotating and integrated cable management system.





8



2

CHOICE OF BASES

ANODISED ALUMINIUM EDGES

Careful use of anodized aluminium profiles creates impact resistance edges.



SOPHISTICATED HARDWARES

Sophisticated Furniture fittings are used so drawers and flaps, open and close easily and silently.



COLOR VARIABLES

Finishes to match different tastes and needs. Four tempered glass colors and two wood finishes, allow you to choose and compliment your style.



GRP-GRAPHITE

OAK-OAK

WHT-WHITE



BLK-BLACK

AMZ-AMAZON

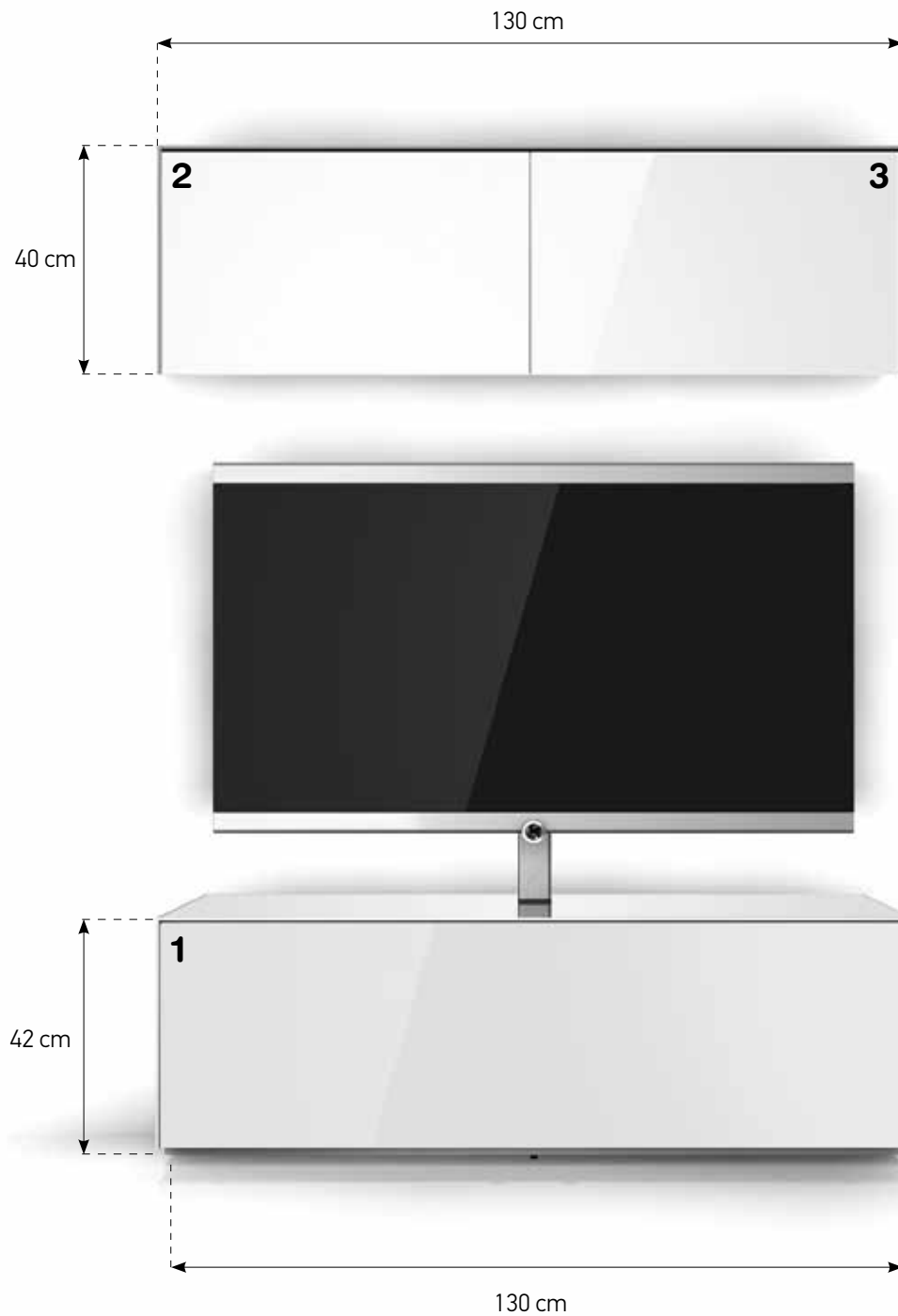
CPN-CAPPUCCINO

SAMPLE COMBINATION - 1



1- EX10-T-WHT-8-B
2- EX20-DD-WHT-8-C

SAMPLE COMBINATION - 2



- 1- EX11-F-WHT-2-A
- 2- ED50-U-WHT-B
- 3- ED50-U-WHT-C

SAMPLE COMBINATION - 3



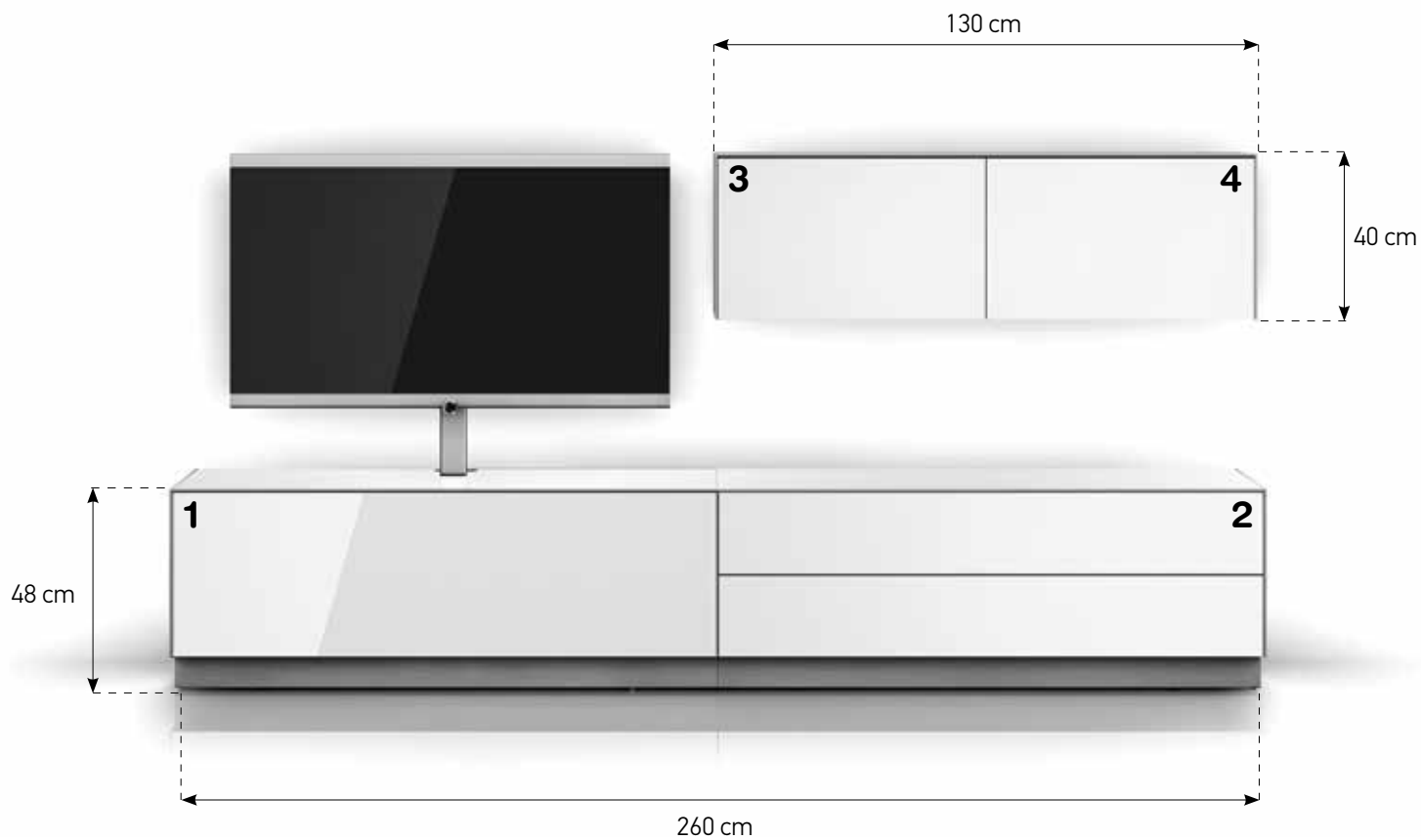
- 1- EX20-T-WHT-8-B
- 2- EX11-F-WHT-8-D
- 3- EX20-T-WHT-8-C

SAMPLE COMBINATION - 4



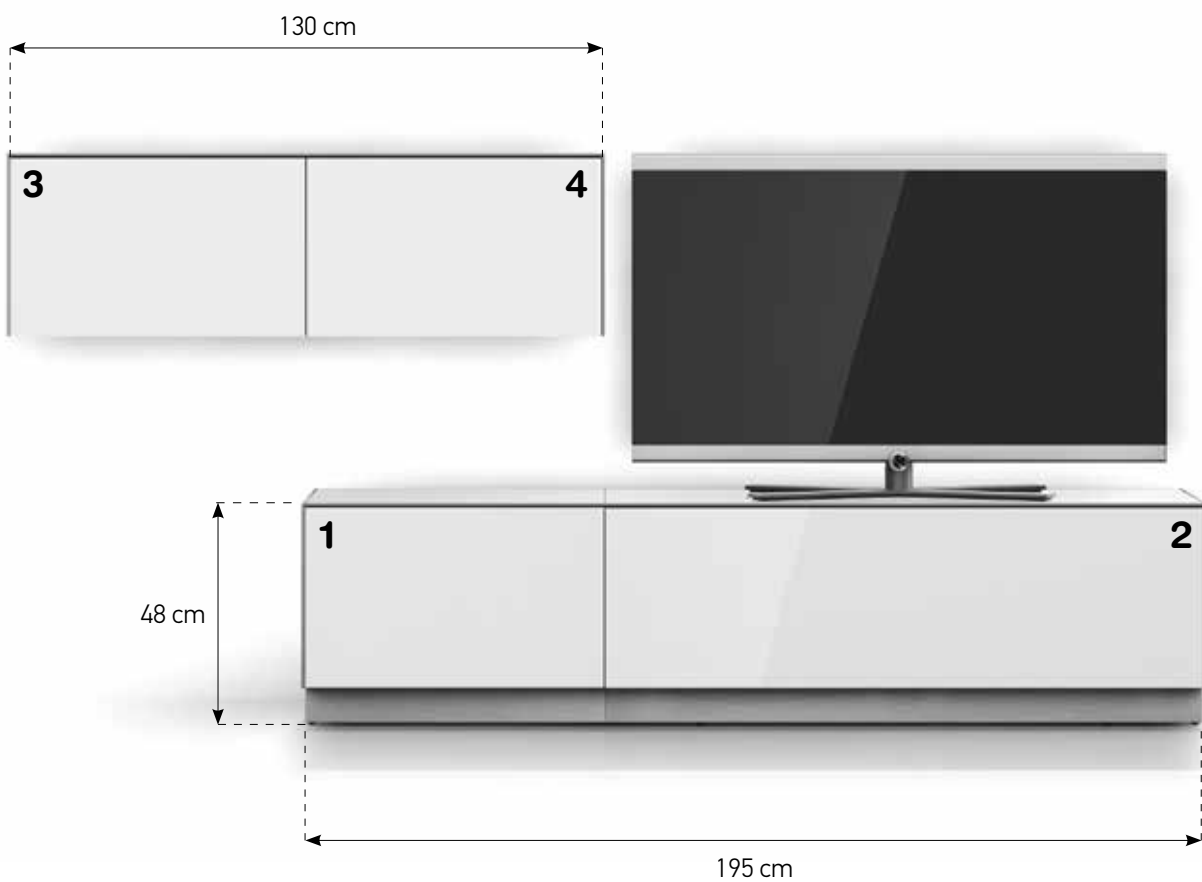
1- EX12-DD-WHT-8-B
2- EX10-FD-WHT-8-C

SAMPLE COMBINATION - 5



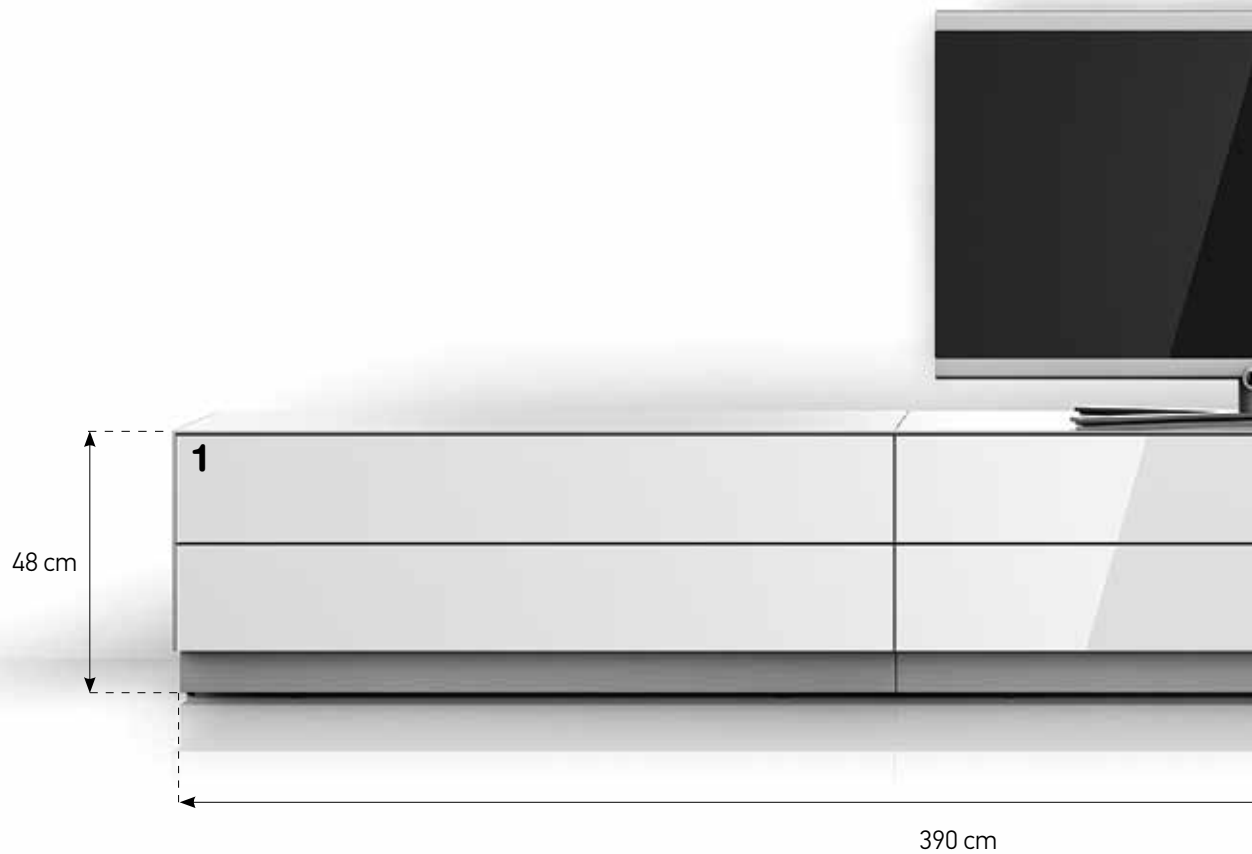
- 1- EX11-F-WHT-8-B
- 2- EX12-DD-WHT-8-C
- 3- ED50-F-WHT-B
- 4- ED50-F-WHT-C

SAMPLE COMBINATION - 6



- 1- EX20-D-WHT-8-B
- 2- EX10-F-WHT-8-C
- 3- ED50-F-WHT-B
- 4- ED50-F-WHT-C

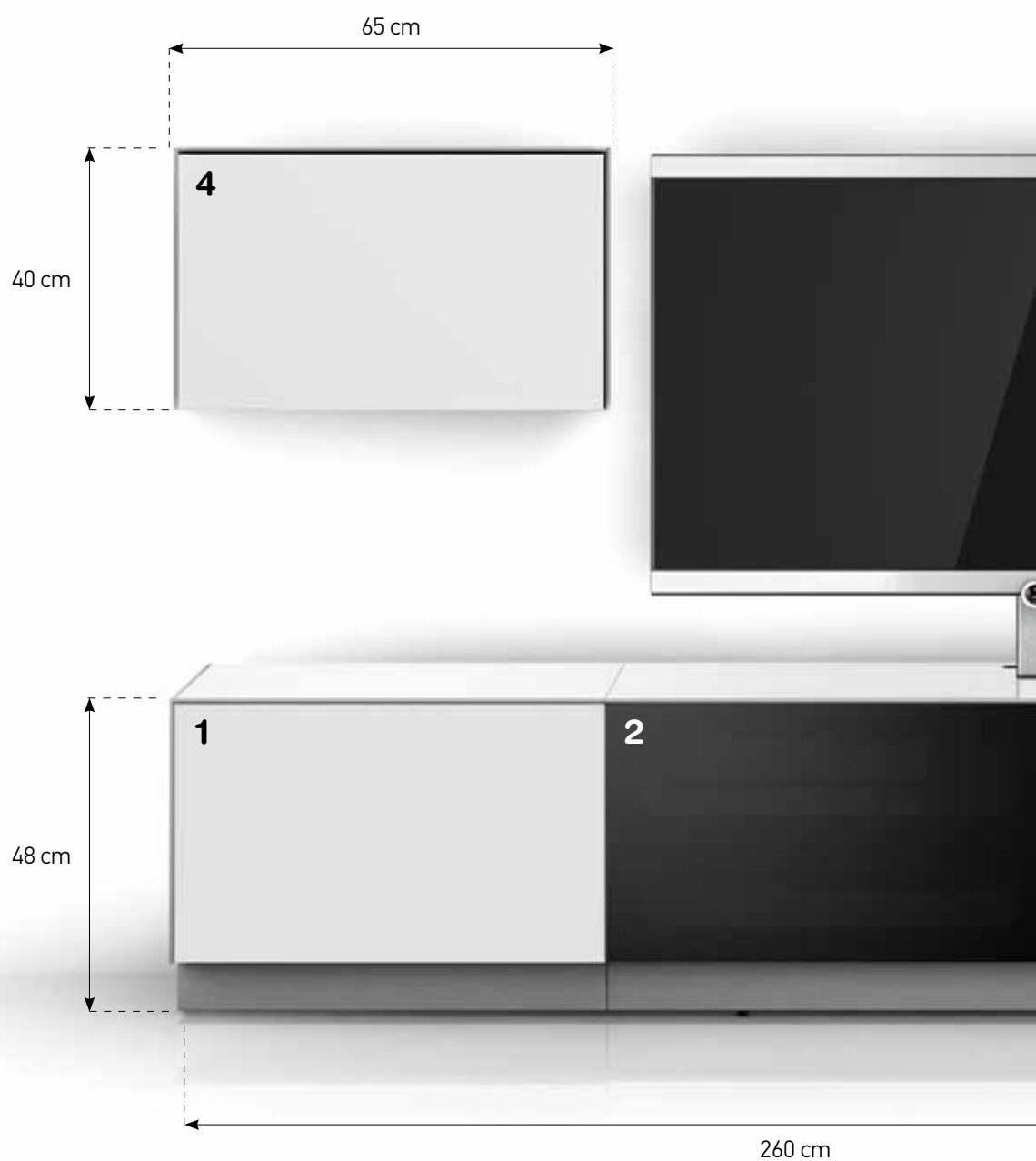
SAMPLE COMBINATION - 7



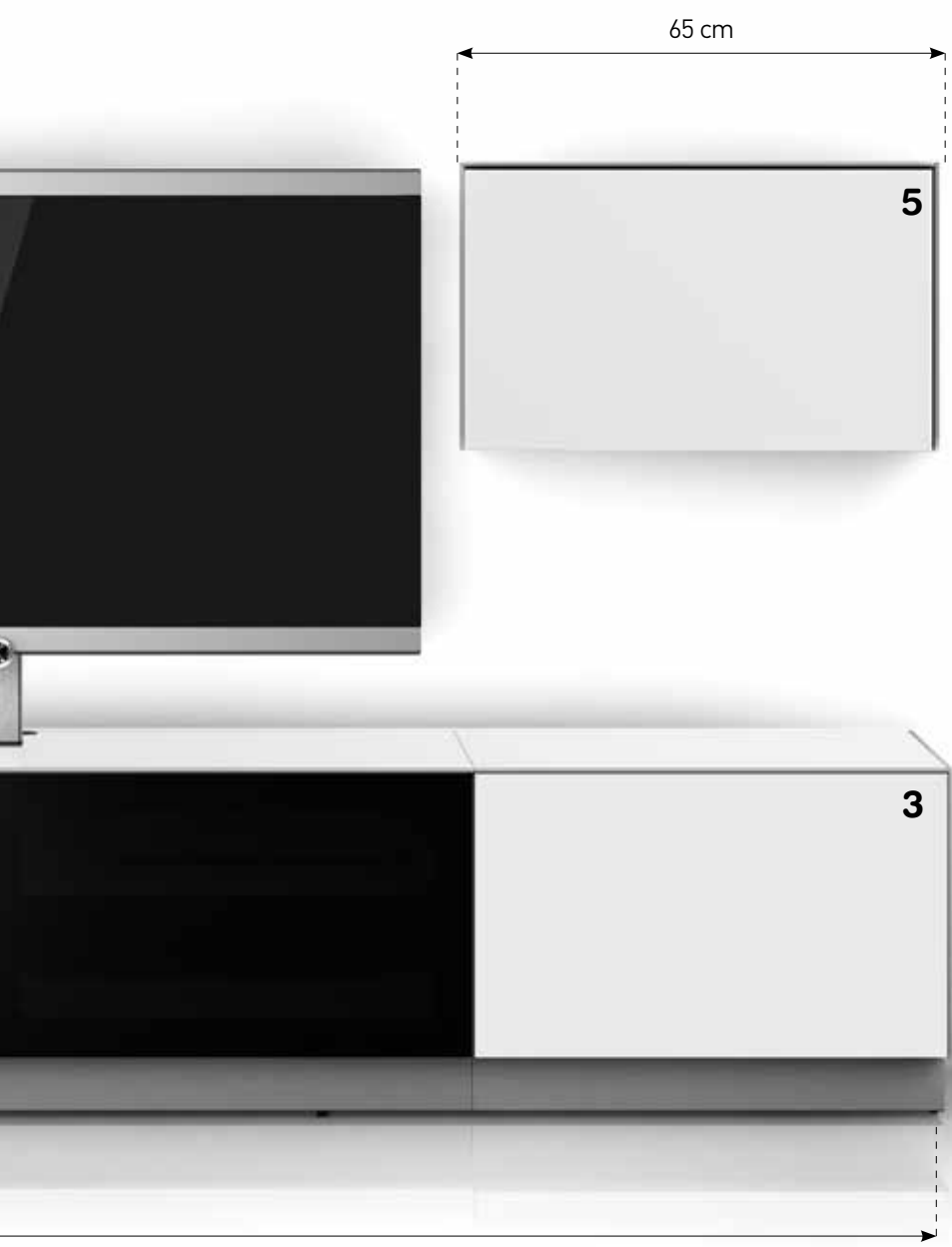
- 1- EX12-FD-WHT-8-B
- 2- EX10-FD-WHT-8-D
- 3- EX12-DD-WHT-8-C



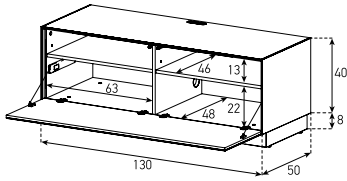
SAMPLE COMBINATION - 8



- 1- EX20-F-WHT-8-B
- 2- EX11-T-WHT-8-D
- 3- EX20-D-WHT-8-C
- 4- ED50-F-WHT-A
- 5- ED50-F-WHT-A

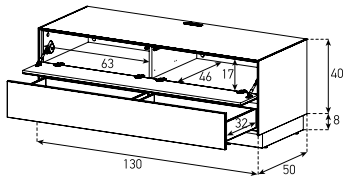


Floor Cabinet with Hole



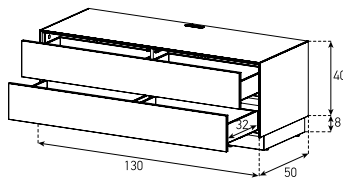
EX10 - F - ...

Cabinet with Flap Down



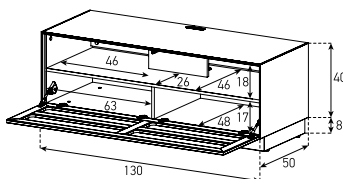
EX10 - FD - ...

Cabinet with Flap Down on top
and Drawer on bottom



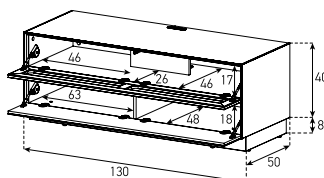
EX10 - DD - ...

Cabinet with two Drawers



EX10 - T - ...

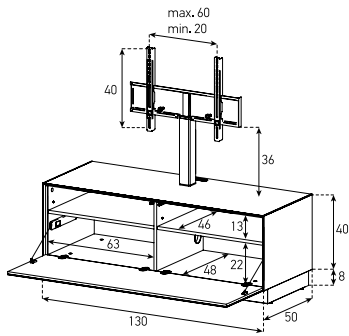
Cabinet with Flap Down with
Black Fabric Covering



EX10 - TF - ...

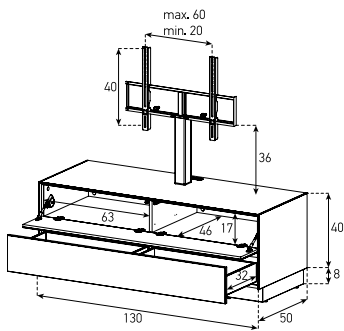
Cabinet with Flap Down with
Black Fabric Covering on top and
Flap Down on bottom

Floor Cabinet with Hole and Bracket



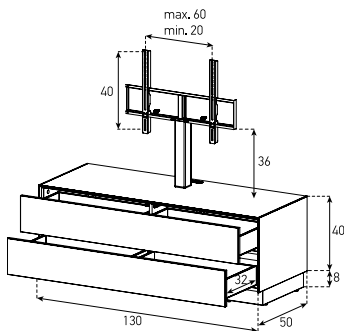
EX11 - F - ...

Cabinet with Flap Down



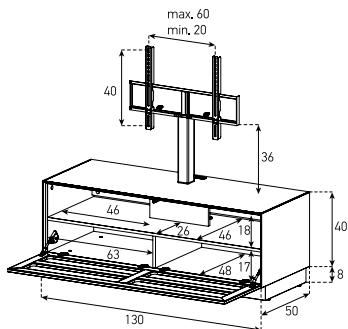
EX11 - FD - ...

Cabinet with Flap Down on top and Drawer on bottom



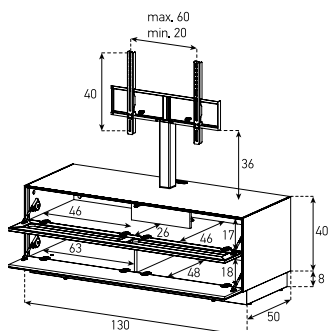
EX11 - DD - ...

Cabinet with two Drawers



EX11 - T - ...

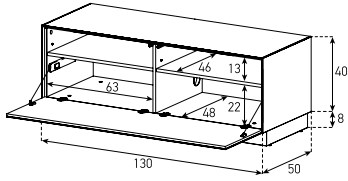
Cabinet with Flap Down with Black Fabric Covering



EX11 - TF - ...

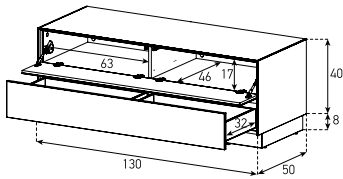
Cabinet with Flap Down with Black Fabric Covering on top and Flap Down on bottom

Floor Cabinet without Hole



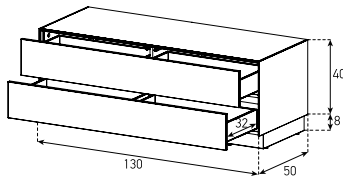
EX12 - F - ...

Cabinet with Flap Down



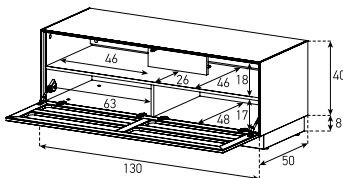
EX12 - FD - ...

Cabinet with Flap Down on top and Drawer on bottom



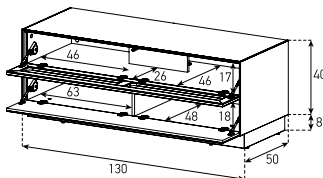
EX12 - DD - ...

Cabinet with two Drawers



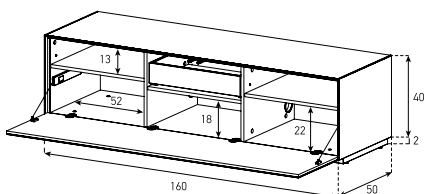
EX12 - T - ...

Cabinet with Flap Down with Black Fabric Covering



EX12 - TF - ...

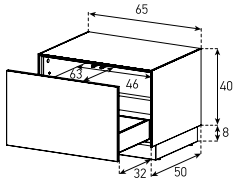
Cabinet with Flap Down with Black Fabric Covering on top and Flap Down on bottom



EX32 - F - ...

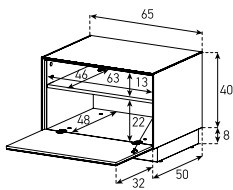
Cabinet with Flap Down and Drawer inside

Floor Cabinet



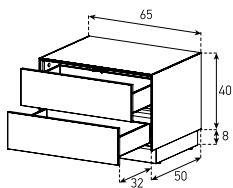
EX20 - D - ...

Cabinet with Drawer



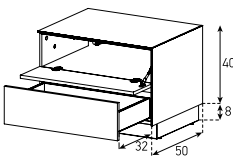
EX20 - F - ...

Cabinet with Flap Down



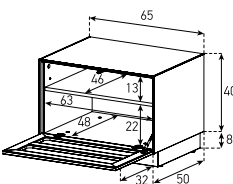
EX20 - DD - ...

Cabinet with two Drawers



EX20 - FD - ...

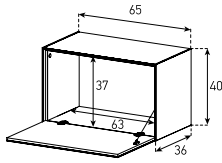
Cabinet with Flap Down on top and Drawer on bottom



EX20 - T - ...

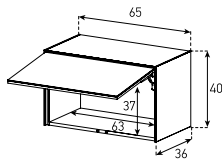
Cabinet with Flap Down with Black Fabric Covering

Cabinet for Wall Hanging



ED50 - F - ...

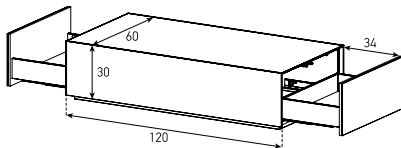
Cabinet with Flap Down



ED50 - U - ...

Cabinet with Flap Up

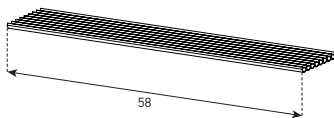
Coffee Table



ES90 - ...

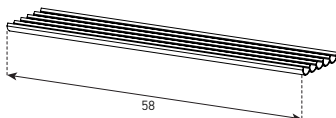
Table with two drawers

Accessories



AL-HECD

CD Organizer



AL-HEDVD

DVD Organizer



IR 2000

Infrared Repeater



SAMPLE CODE

EX 10 - F - BLK - 8 - A

CABINET
TYPE

CABINET
DOOR

CABINET
DECOR

BASE

STRUCTURE

CABINET TYPES

- EX10:** Floor cabinet, 130cm length 40 cm height 50 cm depth with Hole
- EX11:** Floor cabinet, 130cm length 40 cm height 50 cm depth with Hole & Bracket
- EX12:** Floor cabinet, 130cm length 40 cm height 50 cm depth without Hole
- EX20:** Floor cabinet, 65 cm length 40 cm height 50 cm depth
- EX32:** Floor cabinet , 160cm length 40 cm height 50 cm depth without Hole
- ED50:** Wall hanging cabinet 65 cm length 40 cm height 36 cm depth
- ES90:** Coffee Table 120 cm length 30 cm height 60 cm width

CABINET DOORS

- F:** Flap Down
- D:** Drawer (EX Only)
- U:** Flap Up (ED Only)
- T:** Textile (EX Only)
- FD:** Flap / Drawer (EX Only)
- TF:** Textile / Flap (EX Only)
- DD:** Drawer / Drawer (EX Only)

CABINET DECORS

- WHT:** Glass - White Color
- BLK:** Glass - Black Color
- CPN:** Glass - Cappuccino Color
- GRP:** Glass - Graphite Color
- AMZ:** Wood - Amazonas Decor
- OAK:** Wood - Oak Decor

BASE OPTIONS

- 2:** 2 cm Base
- 8:** 8 cm Base

STRUCTURE OPTIONS



Only **F** available for **EX32**

